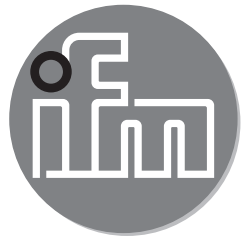


ifm electronic



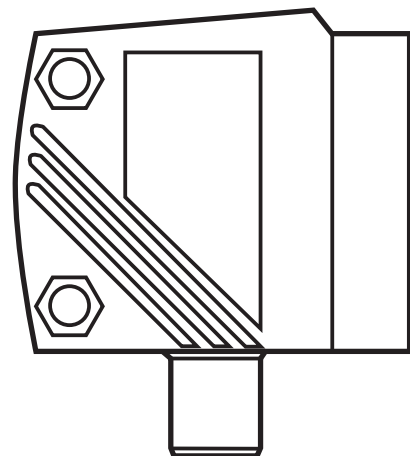
Operating instructions
Optical distance sensor

efector200[®]

O1D106

UK

704204 / 01 08 / 2012



Contents

1	Preliminary note.....	4
1.1	Symbols used	4
1.2	Warning signs used	4
2	Safety instructions	4
3	Functions and features	6
3.1	Applications	6
4	Functions	6
4.1	Output function hysteresis	6
4.2	Output function window	6
4.3	Output function analogue	6
5	Installation.....	7
5.1	Installation conditions	7
5.2	Mounting accessory.....	7
6	Electrical connection.....	8
7	Operating and display elements	8
8	Menu.....	9
8.1	Menu structure.....	9
8.2	Explanation of the menu	10
9	Parameter setting	12
9.1	General parameter setting.....	12
9.1.1	Setting a parameter value	12
9.1.2	Change from menu level 1 to menu level 2	13
9.1.3	Electronic lock	13
9.2	Configuration of the basic settings	14
9.2.1	Selection of the display unit.....	14
9.2.2	Setting the display	14
9.2.3	Configure OUT1	14
9.2.4	Hysteresis function	15
9.2.5	Setting of the switch point for hysteresis function OUT1	16
9.2.6	Window function	16
9.2.7	Setting of the switch points for window function OUT1	17
9.2.8	Configure OUT2	18

9.2.9	Setting of the switch point for hysteresis function OUT2	18
9.2.10	Setting of the switch points for window function OUT2	18
9.2.11	Scaling of the measuring range (analogue output).....	18
9.3	Teach mode	20
9.3.1	Setting of the sampling rate.....	20
9.3.2	Setting of the repeatability	20
9.3.3	Table repeatability and accuracy	20
9.4	Extended functions	21
9.4.1	Setting of the delay time for switching outputs	21
9.4.2	Setting of the damping of the measured signal	21
9.4.3	Reset of all parameters to factory setting	21
9.4.4	Display of the software version number	22
10	Operation.....	22
10.1	Set-up	22
10.1.1	Error indications.....	22
10.2	Operating modes	23
10.2.1	Run mode	23
10.2.2	Display mode.....	23
10.2.3	Programming mode	23
11	Maintenance, repair, disposal	23
12	Scale drawing	24
13	Factory setting	25

UK

1 Preliminary note

1.1 Symbols used

- ▶ Instruction
- > Reaction, result
- [...] Designation of pushbuttons, buttons or indications
- Cross-reference



Important note

Non-compliance can result in malfunction or interference.



Information

Supplementary note.

1.2 Warning signs used

WARNING

Warning of serious personal injury.

Death or serious irreversible injuries may result.

2 Safety instructions

- Please read this document prior to set-up of the unit. Ensure that the product is suitable for your application without any restrictions.
- Improper or non-intended use may lead to malfunctions of the unit or to unwanted effects in your application. That is why installation, electrical connection, set-up, operation and maintenance of the unit must only be carried out by qualified personnel authorised by the machine operator.
- In case of malfunction of the unit please contact the manufacturer. If the unit is tampered with and/or modified, any liability and warranty is excluded.

⚠ WARNING

Visible laser light; laser protection class 2.


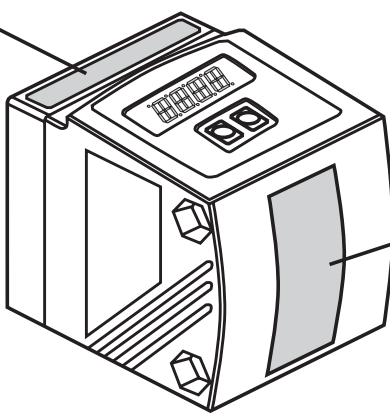

Use of controls or adjustments other than those specified herein may result in hazardous radiation exposure. Damage to the retina is possible.

- ▶ Do not stare into the laser beam!
- ▶ Apply the enclosed labels (laser warning) in the immediate vicinity of the unit.
- ▶ Adhere to the caution and warning notes on the product label.
- ▶ Use the enclosed label for the power supply cable.

Label for supply cable

ATTACH TO CABLE	WARNING:
	CLASS 2 LASER PRODUCT DO NOT STARE INTO BEAM - AVOID EXPOSURE - UNPLUG CONNECTOR TO EXTINGUISH LASER BEAM
ifm electronic gmbh D-45128 Essen	

product label

 AVOID EXPOSURE LASER LIGHT EMITTED FROM THIS APERTURE ↑		 CAUTION LASER LIGHT DO NOT STARE INTO BEAM CLASS 2 LASER PRODUCT max POWER 4.1 mW WAVELENGTH 650 nm PULSE 1.3 ns 21 CFR PART 1040 EN60825-1:2003-10
--	--	---

UK

3 Functions and features

The unit is used as an optical distance sensor.

3.1 Applications

- The optical distance sensor measures distances of 1...75 m on the reflector.
- The measured value is shown in a 10-segment display.
- Two output signals can be generated depending on the set output function.



The distance between the sensor and the reflector must be limited to max. 150 m by the customer. Otherwise measured values can be ambiguous.

→ 5.1 Installation conditions

4 Functions

4.1 Output function hysteresis

The hysteresis keeps the switching state of the output stable if the measured value varies about the sensing range. Both outputs (OUT1 and OUT2) can be set as hysteresis function. → 9.2.4 Hysteresis function

4.2 Output function window

The window function enables the monitoring of a defined acceptable range. Both outputs (OUT1 and OUT2) can be set as window function. → 9.2.6 Window function

4.3 Output function analogue


An analogue signal, which is proportional to the distance, can be provided at output 2 (OUT2). → 9.2.11 Scaling of the measuring range (analogue output)

5 Installation

5.1 Installation conditions

- ▶ Install the unit so that the reflector to be detected is within a measuring range of 1...75 m.

The unambiguity range of the sensor is fixed to 150 m. Reflections within a range > 75...150 m are suppressed.

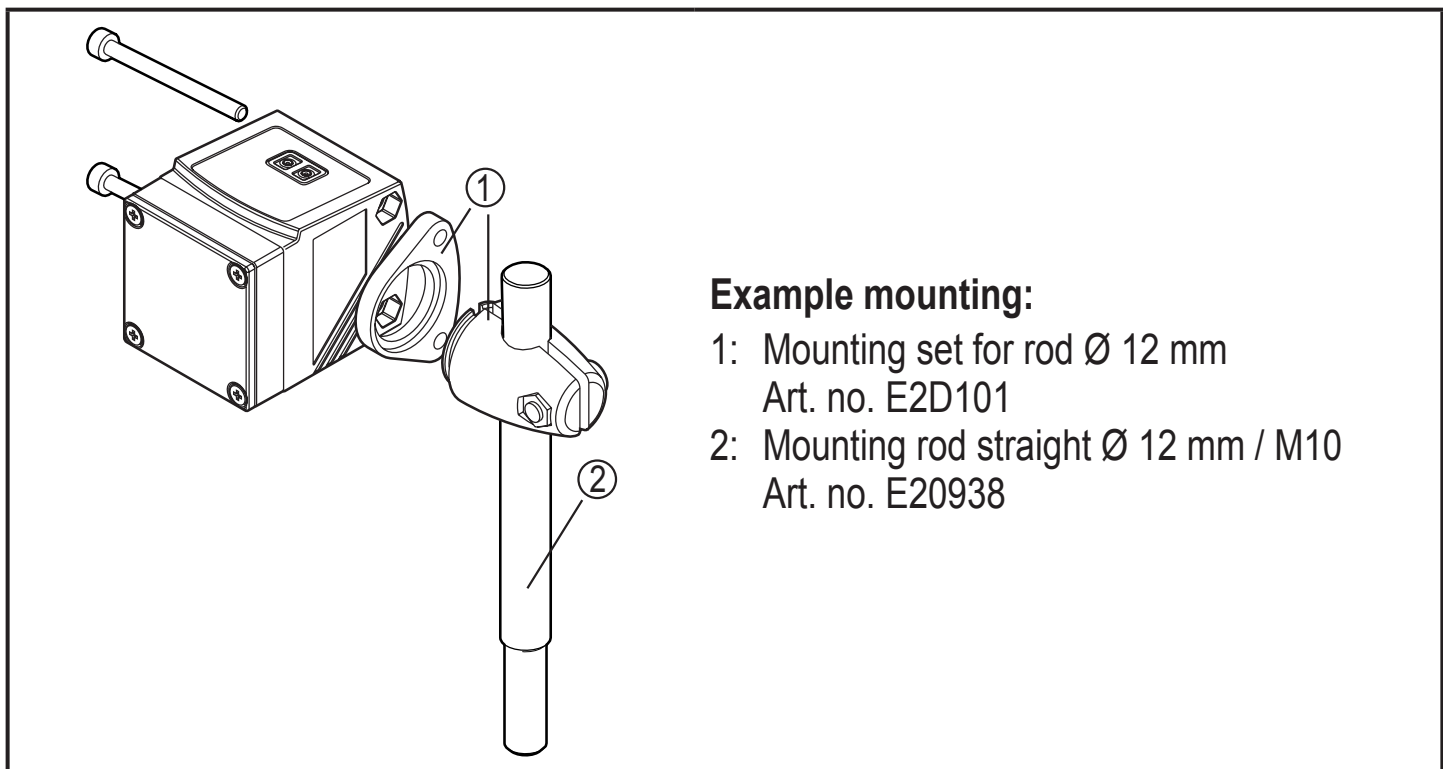
 Reflectors in the direct beam path of the sensor – also in the range > 150 m – are to be avoided by the customer. Otherwise the measured values can be ambiguous.

UK

5.2 Mounting accessory

The unit is supplied without mounting accessories.

Examples of mounting accessories	Art. no.
Reflector 226 x 262 mm	E21159
Protective cover O1D	E21133
Mounting set E2D101 + E20938 + E20951	E21079
Mounting set O1D (for rod mounting Ø 12 mm)	E2D101
Mounting rod straight Ø 12 mm / M10	E20938
Mounting set O1D (for rod mounting Ø 14 mm)	E2D111
Mounting rod straight Ø 14 mm / M12	E20939
Fixture for mounting and fine adjustment of O1D laser units	E1D100



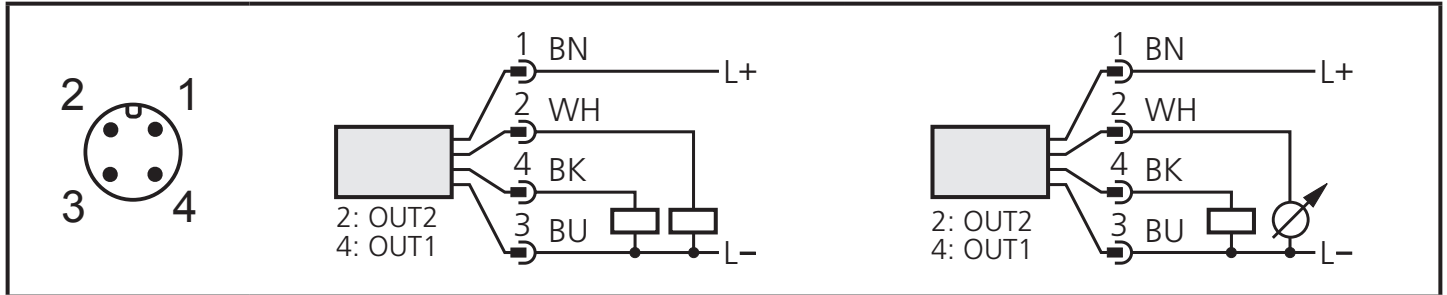
6 Electrical connection



The unit must be connected by a qualified electrician.

- ▶ The national and international regulations for the installation of electrical equipment must be adhered to.
 - ▶ Ensure voltage supply to EN 50178, SELV, PELV.
- ▶ Disconnect power.
- ▶ Connect the unit as follows:

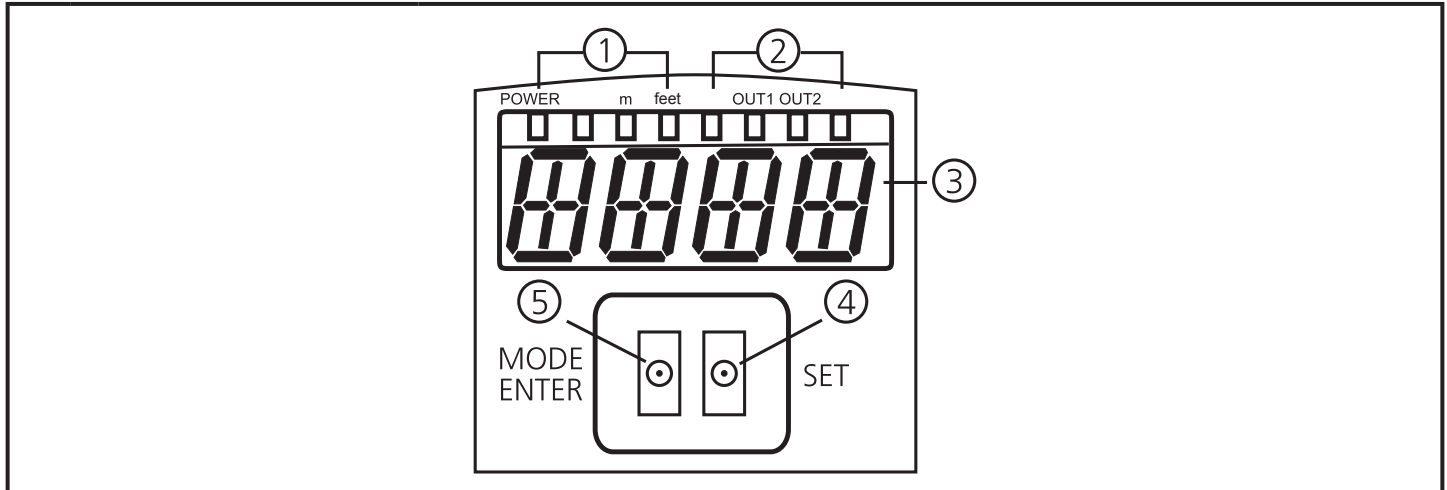
DC PNP



Core colours of ifm sockets:

1 = BN (brown), 2 = WH (white), 3 = BU (blue), 4 = BK (black)

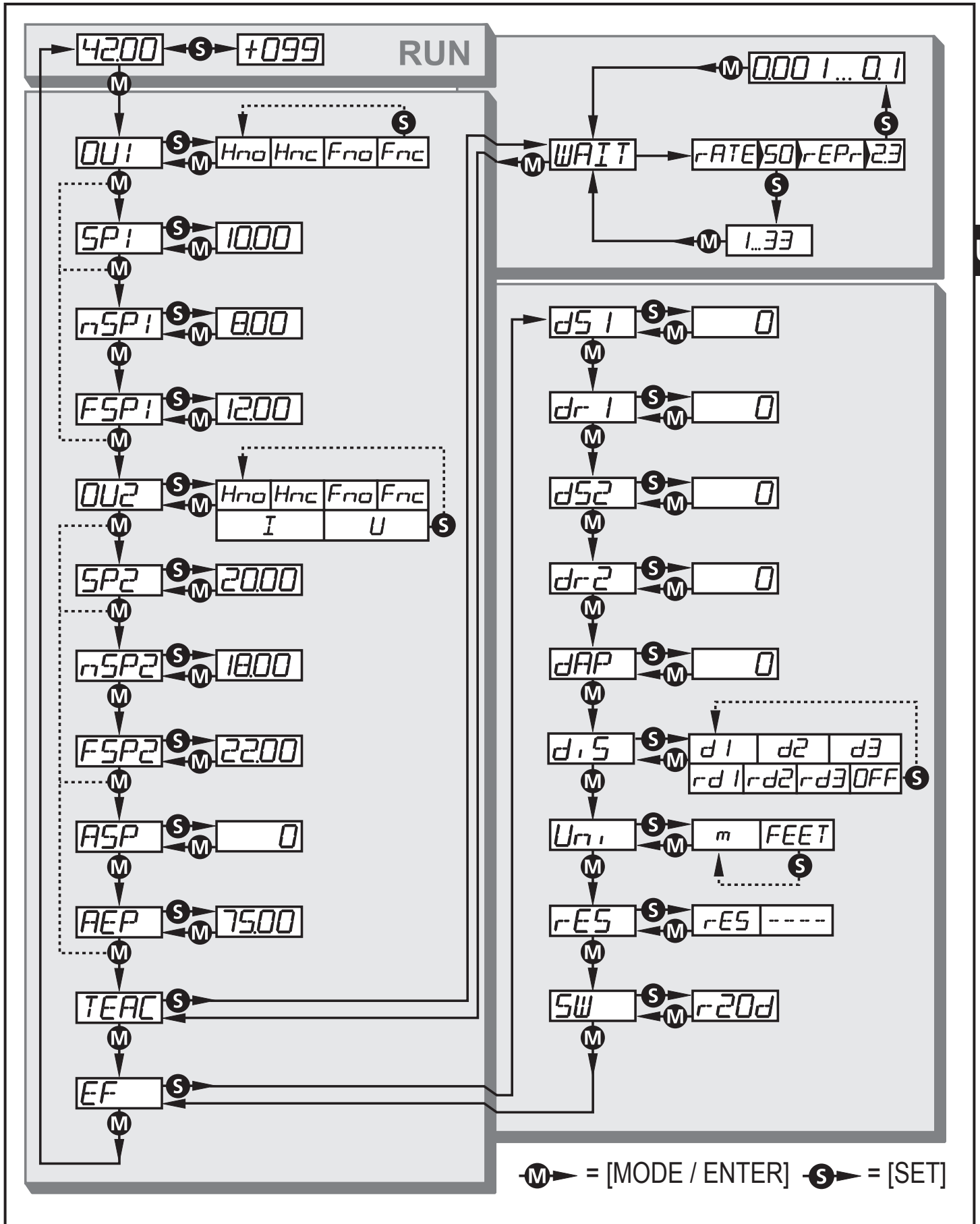
7 Operating and display elements



1: 3 x LED green	Lighting LED = power and set display unit (m, feet)
2: 4 x LED yellow (two not connected)	Indication of the switching state; lights, if the corresponding output is switched.
3: 4-digit alphanumeric display	Indication of the measured distance, the parameters and parameter values.
4: Programming button [SET]	Setting of the parameter values (scrolling by holding pressed; press briefly to increment).
5: Programming button [MODE/ENTER]	Selection of the parameters and acknowledgement of the parameter values.

8 Menu

8.1 Menu structure



UK

8.2 Explanation of the menu

For the factory settings please refer to the end of these instructions (→ 13 Factory setting).

<i>OU 1</i>	<p>Configuration for output 1 4 switching functions can be selected: [Hno], [Hnc], [Fno], [Fnc] → 9.2.3 Configure OUT1</p>
<i>SP 1</i>	<p>Switch point for hysteresis function OUT1 Limit value at which the output with selected hysteresis function changes its switching state (object nearer / farther than distance set). [SP1] is only active if [OU1] = [Hno] or [Hnc]. → 9.2.5 Setting of the switch point for hysteresis function OUT1</p>
<i>nSP 1</i> <i>FSP 1</i>	<p>Switch points for window function OUT1 Limit values at which the output with selected window function changes its switching state (object present / not present between the distance "near" and the distance "far"). [nSP1] = switch point "near" / [FSP1] = switch point "far". [nSP1] / [FSP1] are only active if [OU1] = [Fno] or [Fnc]. → 9.2.7 Setting of the switch points for window function OUT1</p>
<i>OU2</i>	<p>Configuration for output 2 4 switching functions and 2 analogue signals can be selected: [Hno], [Hnc], [Fno], [Fnc], [I], [U] → 9.2.8 Configure OUT2</p>
<i>SP2</i>	<p>Switch point for hysteresis function OUT2 Limit value at which the output with selected hysteresis function changes its switching state (object nearer / farther than distance set). [SP2] is only active if [OU2] = [Hno] or [Hnc]. → 9.2.9 Setting of the switch point for hysteresis function OUT2</p>
<i>nSP2</i> <i>FSP2</i>	<p>Switch points for window function OUT2 Limit values at which the output with selected window function changes its switching state (object present / not present between the distance "near" and the distance "far"). [nSP2] = switch point "near" / [FSP2] = switch point "far". [nSP2] / [FSP2] are only active if [OU2] = [Fno] or [Fnc]. → 9.2.10 Setting of the switch points for window function OUT2</p>
<i>ASP</i>	<p>Analogue start point Measured value at which 4 mA / 0 V are provided. [ASP] is only active if [OU2] = [I] or [U]. → 9.2.11 Scaling of the measuring range (analogue output)</p>

<i>AEP</i>	<p>Analogue end point Measured value at which 20 mA / 10 V are provided. [AEP] is only active if [OU2] = [I] or [U]. → 9.2.11 Scaling of the measuring range (analogue output)</p>
<i>TEAC</i>	<p>Teach mode Selection "sampling rate" or "repeatability" → 9.3 Teach mode</p>
<i>EF</i>	<p>Extended functions Press [SET] to open the submenu "Extended functions" → 9.4. Extended functions</p>
<i>dS 1</i> <i>dr 1</i> <i>dS2</i> <i>dr 2</i>	<p>Delay for the switching outputs [dSx] = switch-on delay; [drx] = switch-off delay. The output does not immediately change its switching state when the switching condition is met but only after the delay has elapsed. If the switching condition is no longer met after the delay has elapsed, the switching state of the output does not change. [dS2] and [dr2] are not effective if [OU2] = [I] or [U]. → 9.4.1 Setting of the delay time for switching outputs</p>
<i>dAP</i>	<p>Damping of the measured signal This function allows to suppress short-time saturation of the measuring element (such saturation can result from direct reflection or strong fluctuations in brightness). During the set delay time, the latest valid value measured is displayed, the output signals remain unchanged. → 9.4.2 Setting of the damping of the measured signal</p>
<i>d 5</i>	<p>Setting of the display 7 settings can be selected: [d1], [d2], [d3], [rd1], [rd2], [rd3], [OFF] → 9.2.2 Setting the display</p>
<i>Um</i>	<p>Setting of the display unit Selection of the unit of measurement for [SP1], [SP2], [ASP], [AEP] Options: [m] [feet] → 9.2.1 Selection of the display unit</p>
<i>rES</i>	<p>Restore the factory setting → 9.4.3 Reset of all parameters to factory setting</p>
<i>SW</i>	<p>Display of the software version number → 9.4.4 Display of the software version number</p>

9 Parameter setting

During parameter setting the unit remains internally in the operating mode. It continues its monitoring function with the existing parameters until the change has been completed.

9.1 General parameter setting

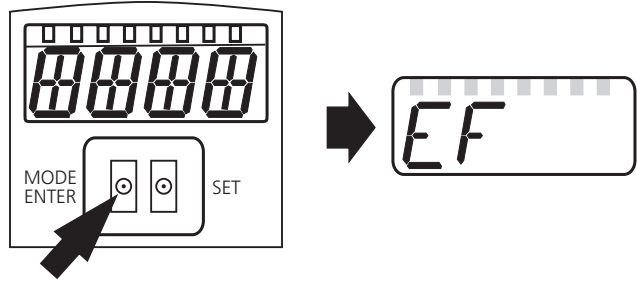
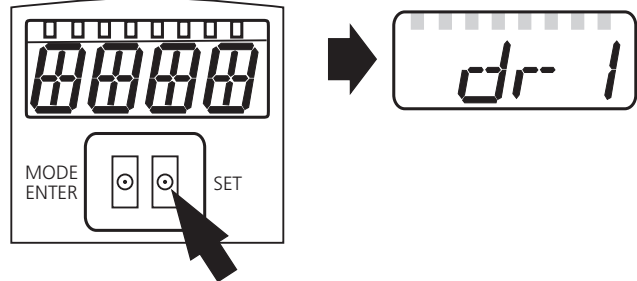
9.1.1 Setting a parameter value



Set the display unit [Uni] before the values for the parameters are defined. In case of subsequent changes of the display unit rounding errors during internal conversion to other units may falsify the set values. → 9.2.1 Selection of the display unit.

<p>1</p>	<p>Select parameter</p> <ul style="list-style-type: none"> ▶ Press [MODE/ENTER] until the requested parameter is displayed. 	
<p>2</p>	<p>Set parameter value</p> <ul style="list-style-type: none"> ▶ Press [Set] and keep it pressed. > The current parameter value flashes for 5 s. ▶ Increase the setting value step by step by pressing the button once or continuously by holding it down. 	
<p>Decrease the value: Let the display move to the maximum setting value. Then the cycle starts again at the minimum setting value.</p>		
<p>3</p>	<p>Confirmation of the parameter value</p> <ul style="list-style-type: none"> ▶ Press [MODE/ENTER] briefly. > The parameter is displayed again; the new parameter value is effective. 	
<p>4</p>	<p>Setting of other parameters</p> <ul style="list-style-type: none"> ▶ Start again with step 1. 	
<p>5</p>	<p>Finish parameter setting</p> <ul style="list-style-type: none"> ▶ Wait for 15 s or press [MODE/ENTER]. > The current measured value is displayed. 	

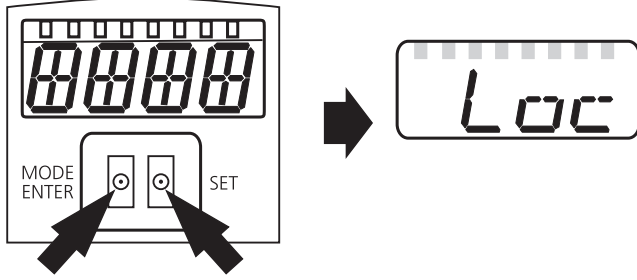
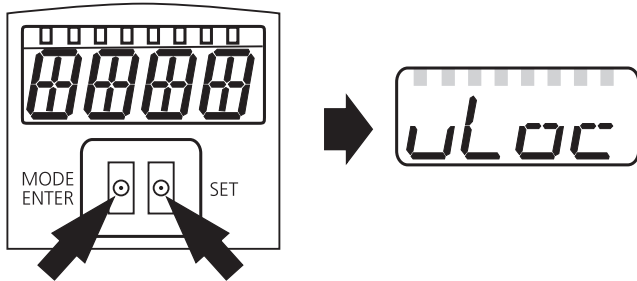
9.1.2 Change from menu level 1 to menu level 2

<ul style="list-style-type: none"> ▶ Press [MODE/ENTER] until [EF] is displayed. 	
<ul style="list-style-type: none"> ▶ Press [SET] briefly. > The first parameter of the submenu is displayed (here: [dr1]). 	

UK

9.1.3 Electronic lock

The unit can be locked electronically to prevent unauthorised setting. On delivery the unit is not locked.

<p>Locking</p> <ul style="list-style-type: none"> ▶ Make sure that the unit is in the normal operating mode. ▶ Keep [MODE/ENTER] + [SET] pressed until [Loc] is displayed. > The unit is locked. 	
<p>[Loc] is displayed briefly if you try to change parameter values on the locked unit during operation.</p>	
<p>Unlocking</p> <ul style="list-style-type: none"> ▶ Keep [MODE/ENTER] + [SET] pressed until [uLoc] is displayed. > The unit is unlocked. 	

Timeout



If no button is pressed for 15 s during the setting procedure, the unit returns to the Run mode with unchanged values.

9.2 Configuration of the basic settings

9.2.1 Selection of the display unit

<p>Set [Uni] before the values for the parameters [SPx], [nSPx], [FSPx], [ASP], [AEP] are defined.</p> <p>In case of subsequent changes of the display unit rounding errors during internal conversion to other units may falsify the set values.</p> <ul style="list-style-type: none">▶ Change to [EF].▶ Select [Uni] and set the unit of measurement. Selection of the unit of measurement: [m], [feet]▶ Confirm with [MODE/ENTER]. <p>> The selected unit is indicated by a green LED on the display.</p>	
--	--

9.2.2 Setting the display

<ul style="list-style-type: none">▶ Change to [EF].▶ Select [diS] and make settings. 7 settings can be selected:<ul style="list-style-type: none">• [d1] = update of the measured values every 50 ms.• [d2] = update of the measured values every 200 ms.• [d3] = update of the measured values every 600 ms.• [rd1], [rd2], [rd3] = display like [d1], [d2], [d3] but rotated by 180°. The update of the measured value only refers to the display. It has no effect on the outputs.• [OFF] = The measured value display is deactivated in the Run mode. When one button is pressed, the current measured value is displayed for 15 s.▶ Confirm with [MODE/ENTER]. <p>The LEDs remain active even if the display is deactivated.</p>	
---	--

9.2.3 Configure OUT1

<ul style="list-style-type: none">▶ Select [OU1] and set the switching functions. Switching functions:<ul style="list-style-type: none">• [Hno] = hysteresis function / normally open• [Hnc] = hysteresis function / normally closed• [Fno] = window function / normally open• [Fnc] = window function / normally closed▶ Confirm with [MODE/ENTER].	
--	--

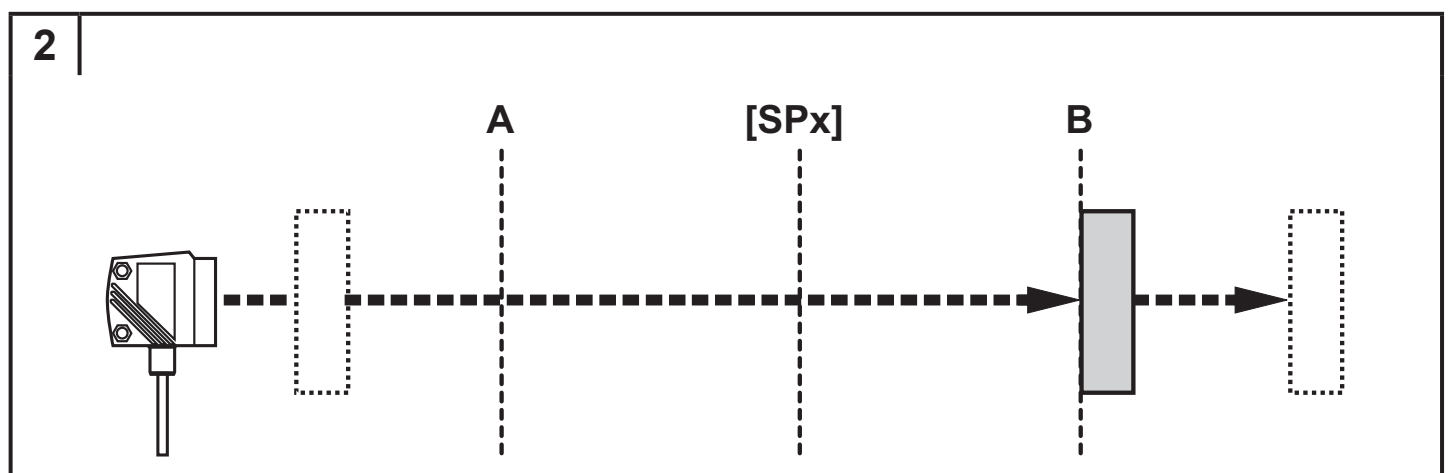
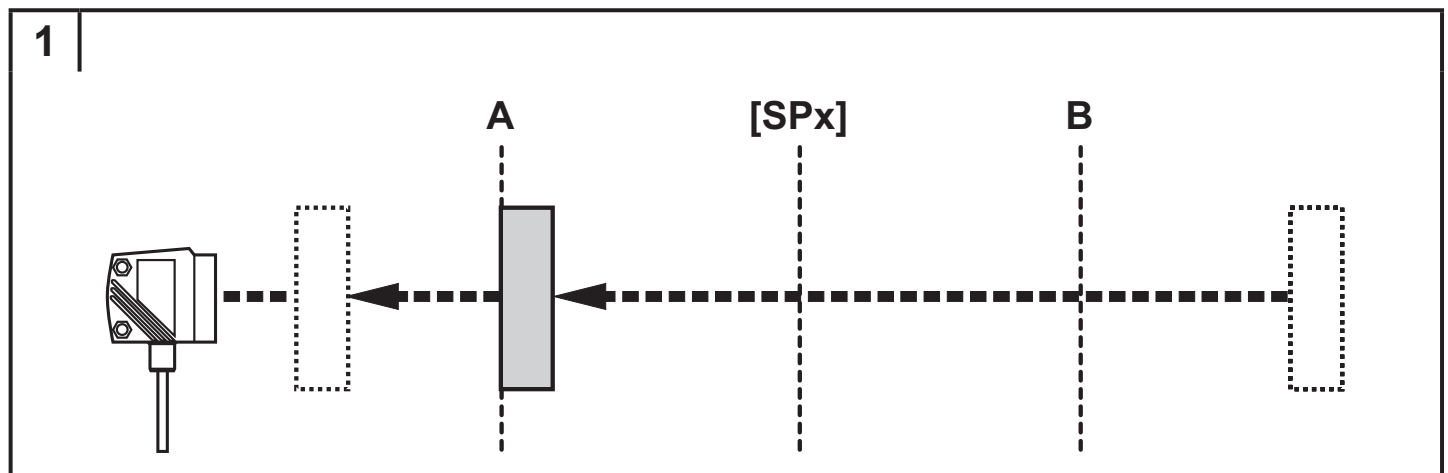
9.2.4 Hysteresis function

The hysteresis keeps the switching state of the output stable if the measured value varies about the sensing range. In both cases the set and reset points are symmetrically arranged about the selected switch point [SPx]. The hysteresis is the distance between set and reset points; it is calculated on the basis of the repeatability with a safety factor of 1.5.

Example Hno

1. For the output function [Hno] the output switches when the object approaches and when the set point (A) is reached.
2. When the object is removed again, the output does not switch back before the reset point (B) is exceeded.
The reset point (B) is above the set point [A].

UK



[SPx] = switch point; A = set point; B = reset point

If the output function [Hnc] has been selected, the set and reset points are reversed. The output switches off when the object approaches. When the object is removed again, the output switches.

Switching state of the outputs

Output function	Object distance (D)	Output status
[Hno]	$D < [SPx]$	closed
	$D > [SPx]$	open
[Hnc]	$D < [SPx]$	open
	$D > [SPx]$	closed

Example of output function [Hno]

Sampling rate 33 Hz, distance to the object 2 m:

Hysteresis = ± 15 mm (repeatability \rightarrow 9.3.3 Table) x factor 1.5 = 22.5 mm

- Reset point 2 m + (22.5 mm) = 2.02 m

- Set point 2 m - (22.5 mm) = 1.98 m

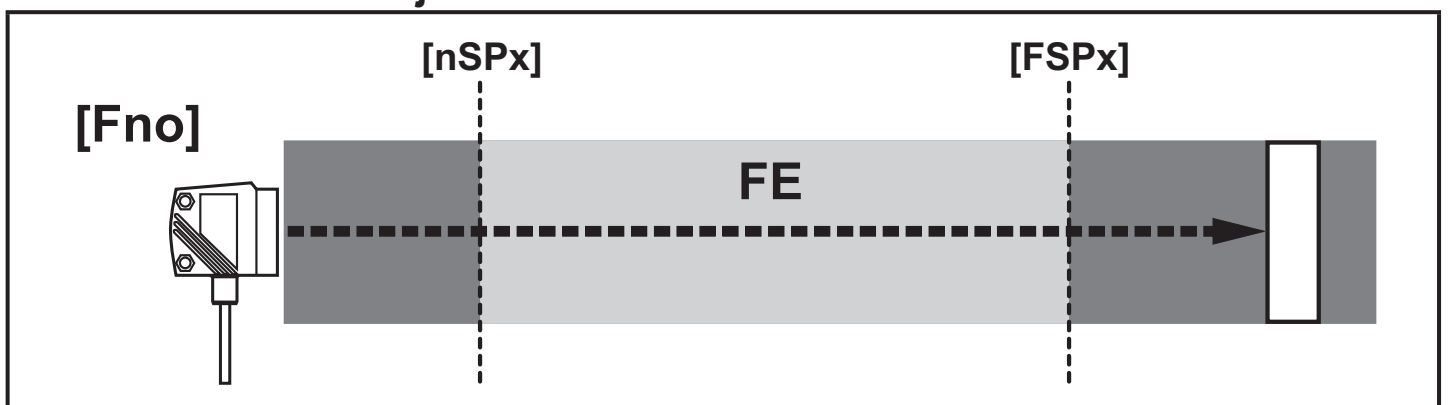
9.2.5 Setting of the switch point for hysteresis function OUT1

<ul style="list-style-type: none"> ▶ In [OU1] select the output function [Hno] or [Hnc]. ▶ Confirm with [MODE/ENTER]. ▶ Select [SP1] and set the switch point. ▶ Confirm with [MODE/ENTER]. 	<div style="font-family: monospace; font-size: 2em; margin-bottom: 10px;">OU 1</div> <div style="font-family: monospace; font-size: 2em;">SP 1</div>
---	--

9.2.6 Window function

It is possible to define a window for the object recognition for each of the two outputs (OUT1 / OUT2).

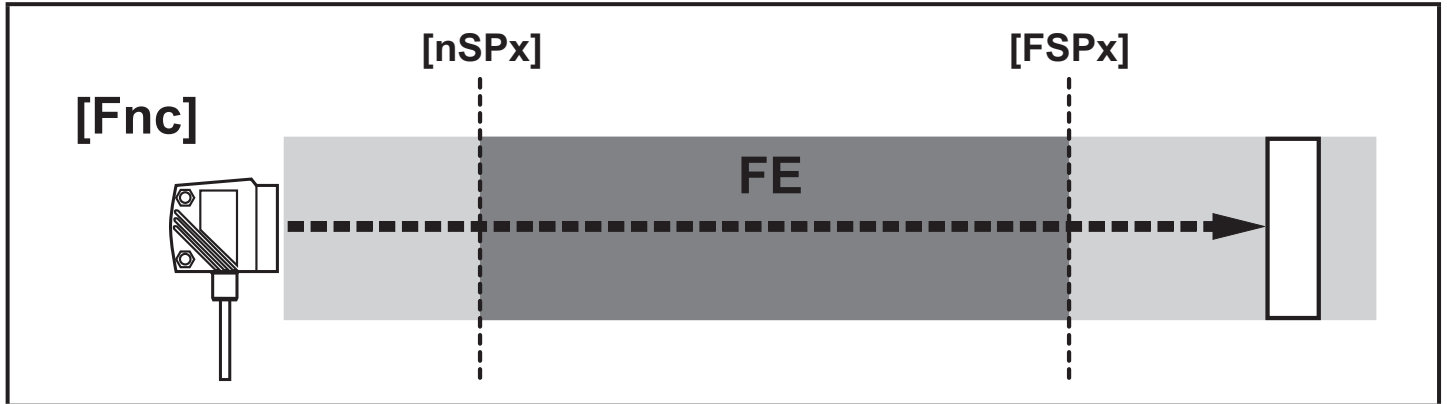
Switches when the object is detected



[nSPx] = switch point "near"; [FSPx] = switch point "far"; FE = window

If the measured value is between the switch point "near" [nSPx] and the switch point "far" [FSPx], the output is closed (when [OUx] = [Fno]).

Switches off when the object is detected



[nSPx] = switch point "near"; [FSPx] = switch point "far"; FE = window

If the measured value is between the switch point "near" [nSPx] and the switch point "far" [FSPx], the output is open (when [OUx] = [Fnc]).

UK

Switching state of the outputs

Output function	Object distance (D)	Output status
[Fno]	D < [nSPx] D > [FSPx]	open
	[nSPx] < D < [FSPx]	closed
[Fnc]	D < [nSPx] D > [FSPx]	closed
	[nSPx] < D < [FSPx]	open

Both window limit values ([nSPx] and [FSPx]) work with a switching hysteresis.

→ 9.2.4 Hysteresis function / example for output function [Hno].

9.2.7 Setting of the switch points for window function OUT1

▶ In [OU1] select the output function [Fno] or [Fnc].	OU 1
▶ Confirm with [MODE/ENTER].	
▶ Select [nSP1] and set the switch point "near".	nSP 1
▶ Confirm with [MODE/ENTER].	
▶ Select [FSP1] and set the switch point "far".	FSP 1
▶ Confirm with [MODE/ENTER].	

9.2.8 Configure OUT2

<ul style="list-style-type: none"> ▶ Select [OU2]. ▶ Set switching functions or analogue signals: <ul style="list-style-type: none"> • [Hno] = hysteresis function / normally open • [Hnc] = hysteresis function / normally closed • [Fno] = window function / normally open • [Fnc] = window function / normally closed • [I] = Current output analogue 4...20 mA • [U] = Voltage output analogue 0...10 V ▶ Confirm with [MODE/ENTER]. 	<p>OU2</p>
--	------------

9.2.9 Setting of the switch point for hysteresis function OUT2

<ul style="list-style-type: none"> ▶ In [OU2] select [Hno] or [Hnc]. ▶ Confirm with [MODE/ENTER]. ▶ Select [SP2] and set the switch point. ▶ Confirm with [MODE/ENTER]. <p>→ 9.2.4 Hysteresis function</p>	<p>OU2</p> <p>SP2</p>
--	-----------------------

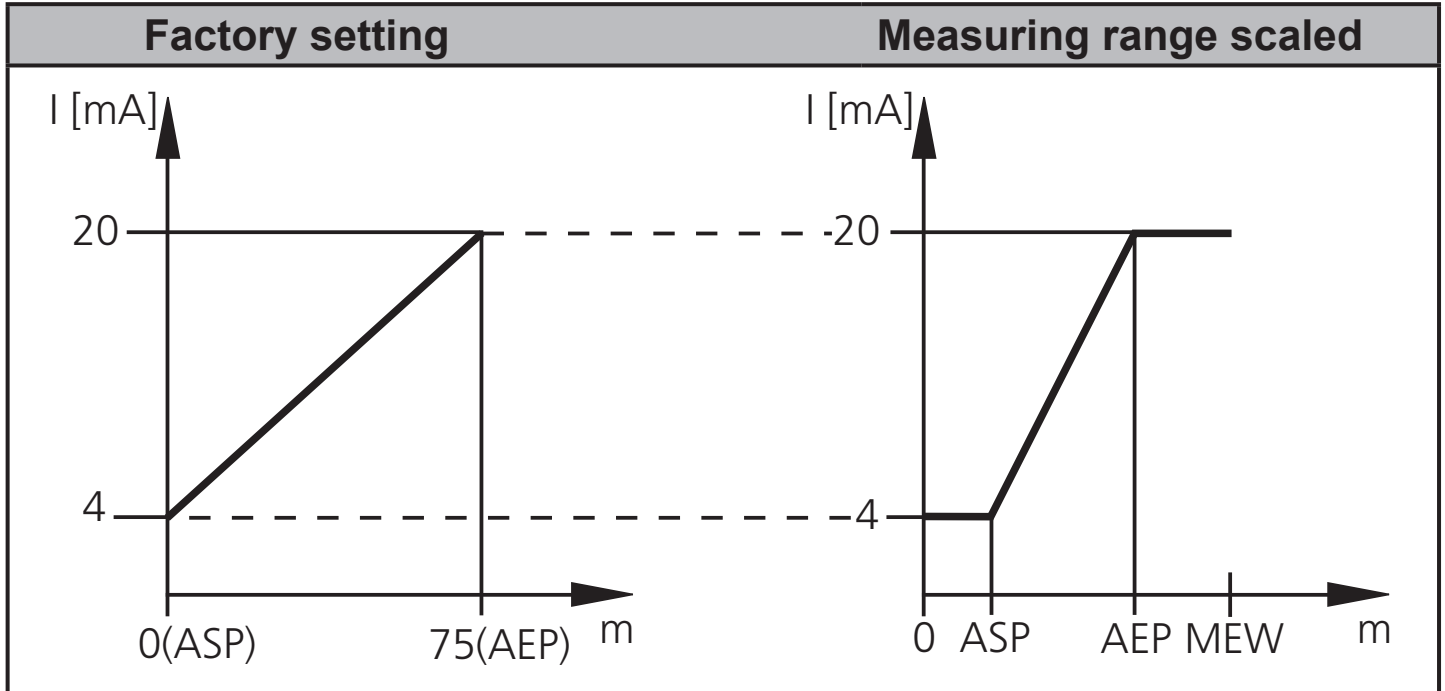
9.2.10 Setting of the switch points for window function OUT2

<ul style="list-style-type: none"> ▶ In [OU2] select [Fno] or [Fnc]. ▶ Confirm with [MODE/ENTER]. ▶ Select [nSP2] and set the switch point "near". ▶ Confirm with [MODE/ENTER]. ▶ Select [FSP2] and set the switch point "far". ▶ Confirm with [MODE/ENTER]. <p>→ 9.2.6 Window function</p>	<p>OU2</p> <p>nSP2</p> <p>FSP2</p>
---	------------------------------------

9.2.11 Scaling of the measuring range (analogue output)

<ul style="list-style-type: none"> ▶ In [OU2] select [I] or [U]. ▶ Confirm with [MODE/ENTER]. ▶ Select [ASP] and set the "Analogue start point". With [ASP] you define at which measured value the output signal is 4 mA / 0 V. ▶ Confirm with [MODE/ENTER]. ▶ Select [AEP] and set the "Analogue end point". With [AEP] you define at which measured value the output signal is 20 mA / 10 V. It can also be selected so that it is located before [ASP]. This implements a falling edge. ▶ Confirm with [MODE/ENTER]. <p>Minimum distance between [ASP] and [AEP]: 0.1 m.</p> <p>When the minimum distance is not reached, the error message "SIZE" is displayed.</p>	<p>OU2</p> <p>ASP</p> <p>AEP</p>
--	----------------------------------

Current output 4...20 mA



MEW = final value of the measuring range

In the set measuring range the output signal is between 4 and 20 mA.

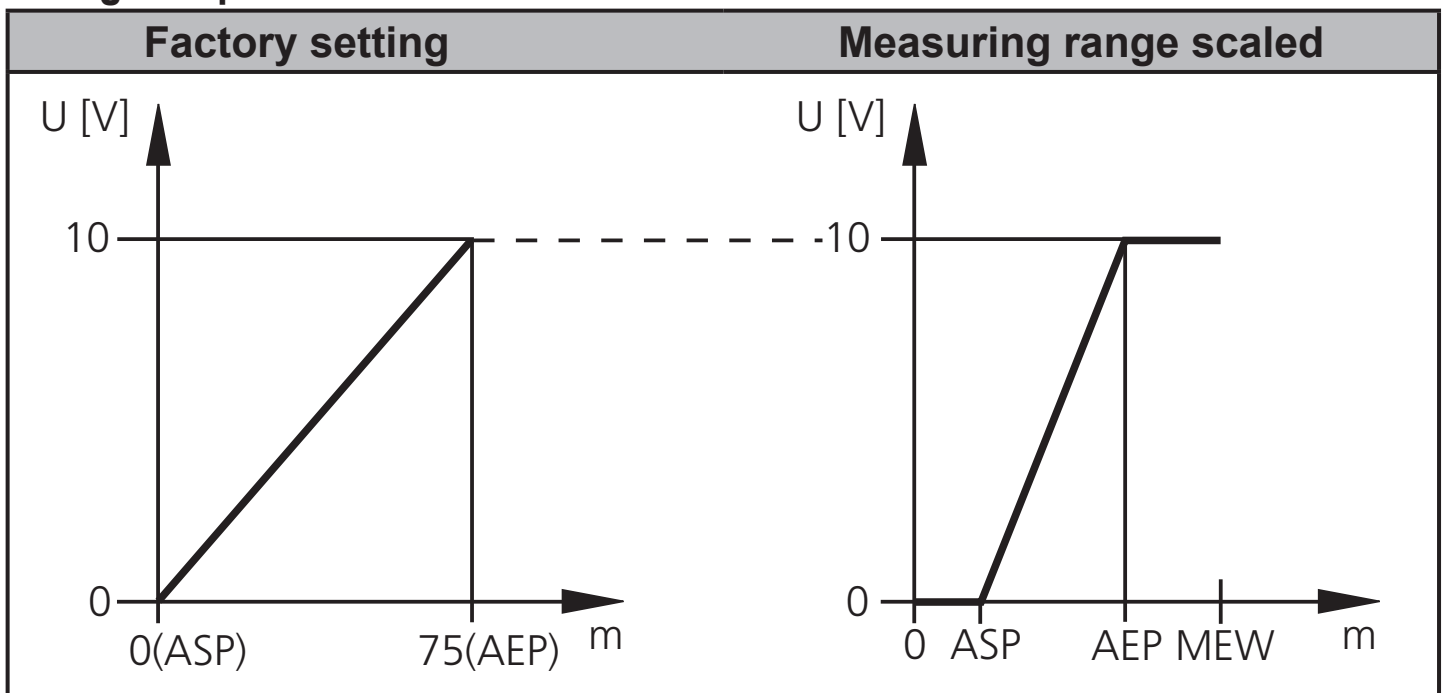
Faults are also displayed:

Too much light or object too near: 3.5 mA for a rising edge ($[ASP] < [AEP]$), 20.5 mA for a falling edge ($[ASP] > [AEP]$).

Object too far or no object present:

20.5 mA for a rising edge; 3.5 mA for a falling edge.

Voltage output 0 ... 10 V




MEW = final value of the measuring range

In the set measuring range the output signal is between 0 and 10 V.


UK

9.3 Teach mode

9.3.1 Setting of the sampling rate

<p>The sampling rate indicates the maximum time after which a new result of measurement is provided and the outputs are updated. The switching frequency is typ. approx. 1/3 of the sampling rate.</p> <ul style="list-style-type: none"> ▶ Select [TEAC], then press [SET] and keep pressed until [WAIT] is displayed. > [rATE] and [rEPr] are displayed alternately. ▶ When [rATE] is displayed: Press [SET] until the preset repeatability value flashes. ▶ Enter a value incrementally by pressing [SET] once. ▶ Confirm with [MODE/ENTER]. > [WAIT] is displayed while the repeatability [rEPr] is calculated. > The sampling rate [rATE] and repeatability [rEPr] are displayed alternately. 	
--	---

9.3.2 Setting of the repeatability

<ul style="list-style-type: none"> ▶ Select [TEAC], then press [SET] and keep pressed until [WAIT] is displayed. > [rATE] and [rEPr] are displayed alternately. ▶ When [rEPr] is displayed: Press [SET] until the preset repeatability value flashes. ▶ Enter value incrementally by pressing [SET] once. ▶ Confirm with [MODE/ENTER]. > [WAIT] is displayed while the sampling rate [rATE] is calculated. > The sampling rate [rATE] and repeatability [rEPr] are displayed alternately. 	
---	--

9.3.3 Table repeatability and accuracy

Values for sampling rate 33 Hz on reflector

Distance in [m]	Repeatability	Accuracy
1...25	± 15 mm	± 35 mm
30	± 15 mm	± 35 mm
40	± 15 mm	± 35 mm
50	± 19 mm	± 39 mm
60	± 27 mm	± 47 mm
75	± 43 mm	± 63 mm

Values for sampling rate 1 Hz on reflector

Distance in [m]	Repeatability	Accuracy
1...75	± 15 mm	± 35 mm

The values apply at:

- constant ambient conditions (23° C / 960 hPa)
- extraneous light of max. 100 klx
- only after unit powered up for 10 minutes.

9.4 Extended functions

9.4.1 Setting of the delay time for switching outputs

<ul style="list-style-type: none"> ▶ Select [EF]. ▶ Press [SET] to change to the menu [EF]. ▶ Select parameters with [MODE/ENTER]: [dSx] = switch-on delay; [drx] = switch-off delay ▶ Set the parameter value with [SET]: Setting range [s]: 0 / 0.1...5 s in steps of 0.1 s (0 = delay time is not active) ▶ Confirm with [MODE/ENTER]. 	<p>EF</p> <p>dS 1</p> <p>dr 1</p> <p>dS 2</p> <p>dr 2</p>
--	---

9.4.2 Setting of the damping of the measured signal


<ul style="list-style-type: none"> ▶ Select [EF]. ▶ Press [SET] to change to the menu [EF]. ▶ Select [dAP]. ▶ Set the parameter value with [SET]: Setting range [s]: 0.0...1.0...5.0. ▶ Confirm with [MODE/ENTER]. 	<p>EF</p> <p>dAP</p>
---	----------------------

9.4.3 Reset of all parameters to factory setting

<ul style="list-style-type: none"> ▶ Select [EF]. ▶ Press [SET] to change to the menu [EF]. ▶ Select [rES], then press [SET] and keep it pressed until [----] is displayed. ▶ Confirm with [MODE/ENTER]. <p>> The unit changes to the Run mode.</p>	<p>EF</p> <p>r-ES</p>
--	-----------------------

UK

9.4.4 Display of the software version number

<ul style="list-style-type: none"> ▶ Select [EF]. ▶ Press [SET] to change to the menu [EF]. ▶ Select [SW], then press [SET]. > The software version number is displayed. ▶ Press [MODE/ENTER] to return to the menu [EF]. 	
---	---

10 Operation

10.1 Set-up

- ▶ After installation, electrical connection and programming, check whether the unit operates correctly.
- > If the unit has been correctly set up, the distance to the object is indicated.



Lifetime of a laser diode: 50000 hours

10.1.1 Error indications

Display	Possible cause	Switching output				Current output / voltage output	
		[Hno]	[Hnc]	[Fno]	[Fnc]	[ASP] < [AEP]	[ASP] > [AEP]
[++]	too much light, e. g. reflective surface	ON	OFF	OFF	ON	3.5 mA / 0 V	20.5 mA / 10 V
[- -]	not enough light, no object	OFF	ON	OFF	ON	20.5 mA / 10 V	3.5 mA / 0 V
[nEAr]	object to be measured outside the measuring range < 1 m	ON	OFF	OFF	ON	3.5 mA / 0 V	20.5 mA / 10 V
[FAr]	object to be measured outside the measuring range > 75 m	OFF	ON	OFF	ON	20.5 mA / 10 V	3.5 mA / 0 V
[Errp]	plausibility (e.g. object too fast)	X ¹⁾	X ¹⁾	X ¹⁾	X ¹⁾	X ¹⁾	X ¹⁾
[SC1]	short circuit in switching output 1					1)	1)
[SC2]	short circuit in switching output 2					2)	2)
[SC]	short circuit in all switching outputs					2)	2)

¹⁾ unchanged

²⁾ [SC2] or [SC] only active, if output 2 is configured as switching output.

10.2 Operating modes

10.2.1 Run mode

The run mode is the normal operating mode.

After power on the unit is in the Run mode. It carries out its monitoring function and generates output signals according to the set parameters.

The display indicates the current distance, the yellow LEDs signal the switching state of the outputs.

Display of the orientation value for the signal strength

- ▶ Press [SET] in the Run mode.
- > The unit displays an orientation value for the signal strength (+100 means max. signal strength, full repeatability; a lower value means decreasing signal strength, restricted repeatability).

10.2.2 Display mode

Indication of the parameters and the set parameter values.

- ▶ Press [MODE/ENTER] briefly.
- > The unit goes to the display mode. Internally it remains in the operating mode. The set parameter values can be read:
 - ▶ To scroll through the parameters, press [MODE/ENTER] briefly.
 - ▶ To display the respective parameter value, press [SET] briefly.
- > After another 15 s the unit returns to the Run mode.

10.2.3 Programming mode

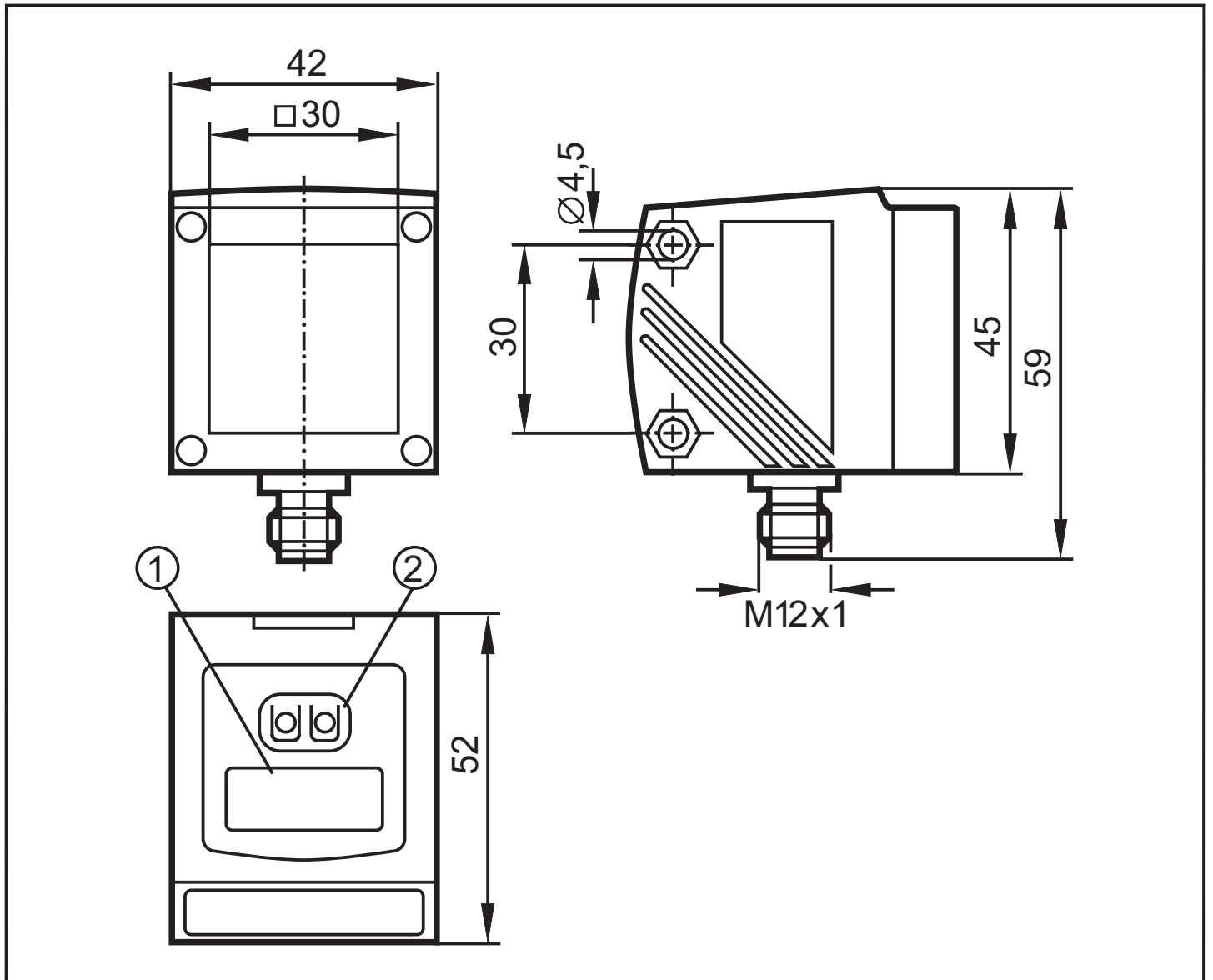
Setting the parameter values → 9.1 General parameter setting

11 Maintenance, repair, disposal

Faulty sensors must only be repaired by the manufacturer.

- ▶ Keep the front lens of the sensor clean.
- ▶ After use dispose of the unit in an environmentally friendly way in accordance with the applicable national regulations.
- ▶ Do not open the module housing. There are no user-serviceable components inside.

12 Scale drawing



Dimensions in mm

- 1: 4-digit alphanumeric display / LED function displays
- 2: programming buttons

13 Factory setting

Parameter	Setting range	Factory setting	Own setting
Uni	m, feet	m	
OU1	Hno, Hnc, Fno, Fnc	Hno	
SP1	1.00...75.00	10.00	
nSP1	1.00...75.00	8.00	
FSP1	1.00...75.00	12.00	
OU2	Hno, Hnc, Fno, Fnc, I, U	I	
SP2	1.00...75.00	20.00	
nSP2	1.00...75.00	18.00	
FSP2	1.00...75.00	22.00	
ASP	0...75.00	0	
AEP	0...75.00	75.00	
rATE	1...33	15 Hz	
dS1	0...0.1...5	0.2 s	
dr1	0...0.1...5	0 s	
dS2	0...0.1...5	0 s	
dr2	0...0.1...5	0 s	
dAP	0...0.1...5	0.2 s	
diS	d1...3; rd1...3; OFF	d3	

UK

Technical data and further information at www.ifm.com