

ifm electronic



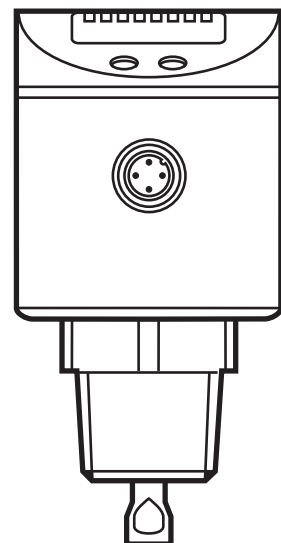
Operating instructions  
Electronic level sensor

**efector160<sup>®</sup>**

**LR3300**

**UK**

706148 / 00 02 / 2012



# Contents

1	Preliminary note.....	4
1.1	Symbols used .....	4
2	Safety instructions .....	4
3	Items supplied.....	5
4	Functions and features .....	6
4.1	Applications .....	6
4.1.1	Restriction of the application area .....	6
5	Function.....	7
5.1	Measuring principle .....	7
5.2	Features of the unit.....	8
5.2.1	Easy set-up.....	8
5.2.2	Display functions .....	8
5.2.3	Analogue function .....	8
5.2.4	Switching functions.....	10
5.2.5	Offset for indicating the real level in the tank.....	11
5.2.6	Probes for different tank heights.....	11
5.2.7	Safe state .....	11
5.2.8	IO-Link communication, parameter setting, evaluation .....	12
6	Installation.....	13
6.1	Installation location / environment .....	13
6.2	Installation of the probe .....	16
6.3	Shortening of the probe .....	16
6.4	Installation of the unit.....	17
6.4.1	Installation in closed metal tanks (without flange plate) .....	17
6.4.2	Installation in closed metal tanks (with flange plate) .....	18
6.4.3	Installation in open tanks .....	18
6.4.4	Installation in plastic tanks.....	19
6.5	Alignment of the sensor housing .....	20
7	Electrical connection.....	21
8	Operating and display elements .....	22
9	Menu.....	23
9.1	Menu structure.....	23

9.2 Explanation of the menu .....	24
10 Parameter setting .....	25
10.1 General parameter setting .....	25
10.2 Probe length (unit on delivery).....	27
10.3 Configuration of the display .....	27
10.4 Offset setting.....	27
10.5 Setting of output signals .....	28
10.5.1 Setting of the output function for OUT1 .....	28
10.5.2 Setting of switching limits (hysteresis function) .....	28
10.5.3 Setting of switching limits (window function) .....	28
10.5.4 Setting of the switch-off delay for OUT1 .....	28
10.5.5 Setting of the output function for OUT2 (analogue output).....	28
10.5.6 Scaling of the analogue signal.....	28
10.5.7 Response of the outputs in case of a fault .....	29
10.5.8 Setting of the delay time after signal loss .....	29
10.6 Reset all parameters to factory setting .....	29
10.7 Changing the probe length .....	29
11 Operation .....	30
11.1 Operating indicators .....	30
11.2 Reading the set parameters.....	30
11.3 Changing the display unit in the Run mode .....	30
11.4 Error indications .....	31
11.5 Output response in different operating states .....	32
12 Scale drawing .....	33
13 Technical data .....	34
13.1 Setting ranges .....	35
14 Maintenance .....	36
15 Factory setting .....	37

# 1 Preliminary note

## 1.1 Symbols used

► Instructions

> Reaction, result

[...] Designation of pushbuttons, buttons or indications

→ Cross-reference



Important note

Non-compliance can result in malfunction or interference.



Information

Supplementary note.

## 2 Safety instructions

- Please read this document prior to set-up of the unit. Ensure that the product is suitable for your application without any restrictions.
- The unit must be connected by a qualified electrician.
- The national and international regulations for the installation of electrical equipment must be adhered to.
- The unit complies with the standard EN 61000-6-4 and is a class A product. The radiated energy of the microwaves is, for example, much below that of mobile phones. According to the current state of science the operation of the unit can be classified to be harmless to human health.
- The unit may cause radio interference in domestic areas. If interference occurs, the user must take appropriate remedial actions.
- Improper or non-intended use may lead to malfunctions of the unit or to unwanted effects in your application. That is why installation, electrical connection, set-up, operation and maintenance of the unit must only be carried out by qualified personnel authorised by the machine operator.

### 3 Items supplied

- Level sensor LR3300
- Operating instructions

In addition, the following is necessary for installation and operation:

- 1 rod
- mounting material (if necessary, a launching plate → 4.1)

The following components are available as accessories:

Rods	Length (cm / inch)	Order no.
	15 / 5.9	E43225
	24 / 9.5	E43203
	30 / 11.8	E43226
	45 / 17.7	E43204
	50 / 19.7	E43227
	70 / 27.6	E43205
	100 / 39.4	E43207
	120 / 47.2	E43208
	140 / 55.1	E43209
	160 / 63.0	E43210
Flange plate	Size / process connection	Order no.
	73 - 90 / ¾" NPT	E43206

UK



Only use rods from ifm electronic gmbh. The optimum function is not ensured when using components from other manufacturers.

## 4 Functions and features

The unit continuously detects the level in tanks and generates output signals according to the parameter settings.

2 outputs are available: one analogue output and one switching output. They can be set separately.



For correct function the unit needs a large enough metal launching plate. It is necessary for transferring the microwave pulse to the tank with optimum transmission power.

The flange plates that are available as accessories are not sufficient as launching plates (for suitable launching plates → 6.4).

For installation in closed metal tanks, the tank lid serves as a launching plate. For installation in open metal tanks, tanks made of plastic or metal tanks with plastic lids a sufficiently large fixing plate, a metal plate or similar must be used (→ 6.4.3 / 6.4.4).

Furthermore, minimum distances to tank walls, objects in the tank, bottom of the tank and further level sensors must be adhered to (→ 6.1).

### 4.1 Applications

- Water, water-based media
- Medium temperature 0...80 °C (permanent); 0...90 °C (peak)
- Tank pressures: -1...4 bar

Application examples:

- Detection of coolant emulsion in a machine tool.
- Detection of cleaning liquid in a parts cleaning system.

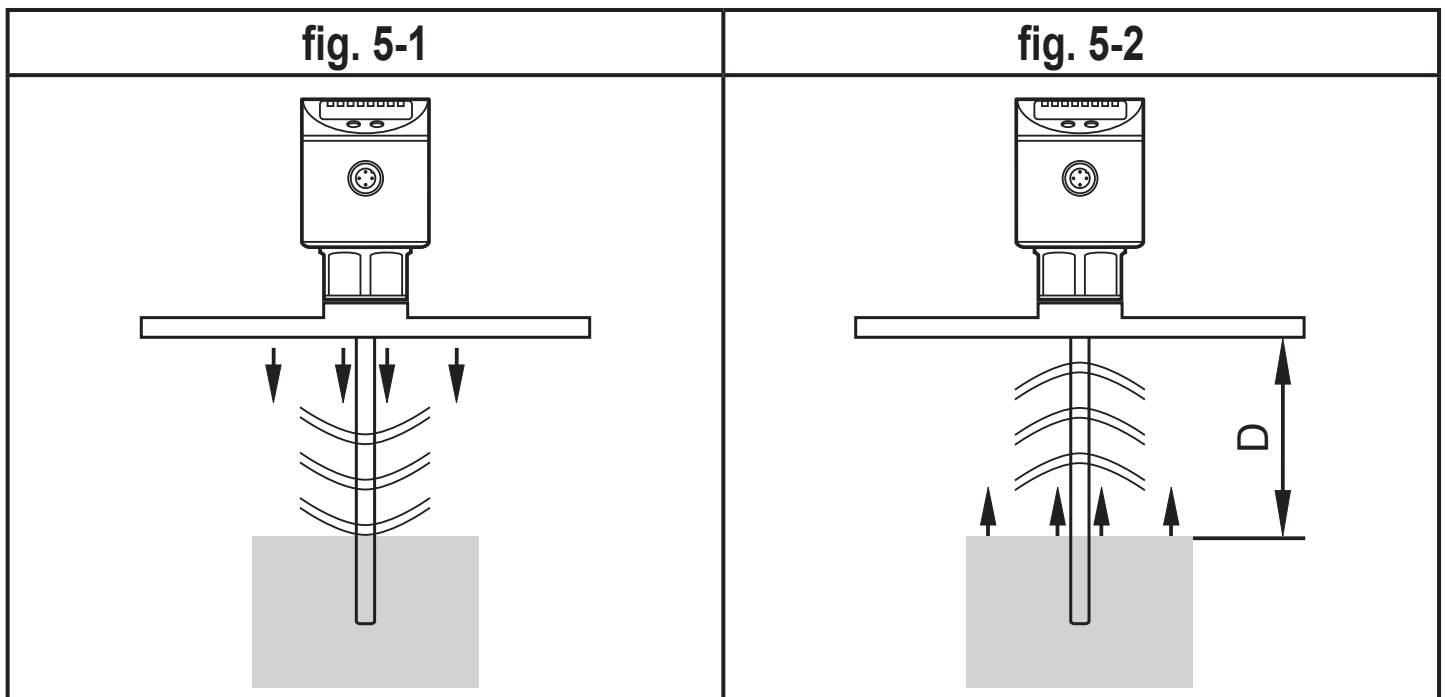
#### 4.1.1 Restriction of the application area

- The unit is not suitable for media with a dielectric constant < 20 (e.g. oils, fats, plastic granulates, and bulk material).
- If the unit is to be used in acids or alkalis, in hygienic areas or in electroplating applications: first check the compatibility of the product materials (→ 13 Technical data) with the media to be monitored.
- Incorrect measurements or signal loss may be caused by the following media:
- Highly absorbing surfaces (e.g. foam).
- Intensely bubbling surfaces.

- Media which are very inhomogeneous, separate from each other thus forming separation layers (e.g. oil layer on water).
- Check the function by an application test.
- In case of signal loss, the unit displays [E.033] and switches the outputs to a defined state (→ 11.4).
- The unit is not suitable for applications where the probe is subjected to permanent and high mechanical stress (e.g. strongly moving viscous media or strongly flowing media).
- Use preferably in metal tanks. When installed in plastic tanks, deterioration caused by electromagnetic interference may occur (noise immunity to EN61000-6-2). Remedy: → 6.4.2.

## 5 Function

### 5.1 Measuring principle



The unit operates to the principle of guided wave radar. It measures the level using electromagnetic pulses in the nanosecond range.

The pulses are transmitted by the sensor head and guided along the rod (fig. 5-1). When they hit the medium to be detected they are reflected and guided back to the sensor (fig. 5-2). The time between transmitting and receiving the pulse directly relates to the travelled distance (D) and the current level. The reference for distance measurement is the lower edge of the process connection.

## 5.2 Features of the unit

### 5.2.1 Easy set-up

- When operating voltage is applied to the unit for the first time, the probe length must be entered. The unit is then ready for operation. (→ 10.2).
- If necessary, parameters for the output signals and optimisation of the monitoring functions can be set (→ 10.3 to 10.5).
- All settings can also be carried out before installation of the unit.
- Reset to the factory settings is possible.
- Electronic lock can be set to prevent unintentional operations.

### 5.2.2 Display functions

The unit displays the current level, either in cm, inch or in percent of the final value of the measuring range. Factory setting: inch. The display unit is defined by programming (→ 10.3). In the Run mode, it can be temporarily switched between length indication (cm / inch) and percentage:

► Press [Set] briefly.

- > The selected unit is displayed for 15 s, the corresponding LED is lit. With each push of the button the display type is changed.

The set unit of measurement and the switching status of the outputs are indicated by LEDs.

### 5.2.3 Analogue function

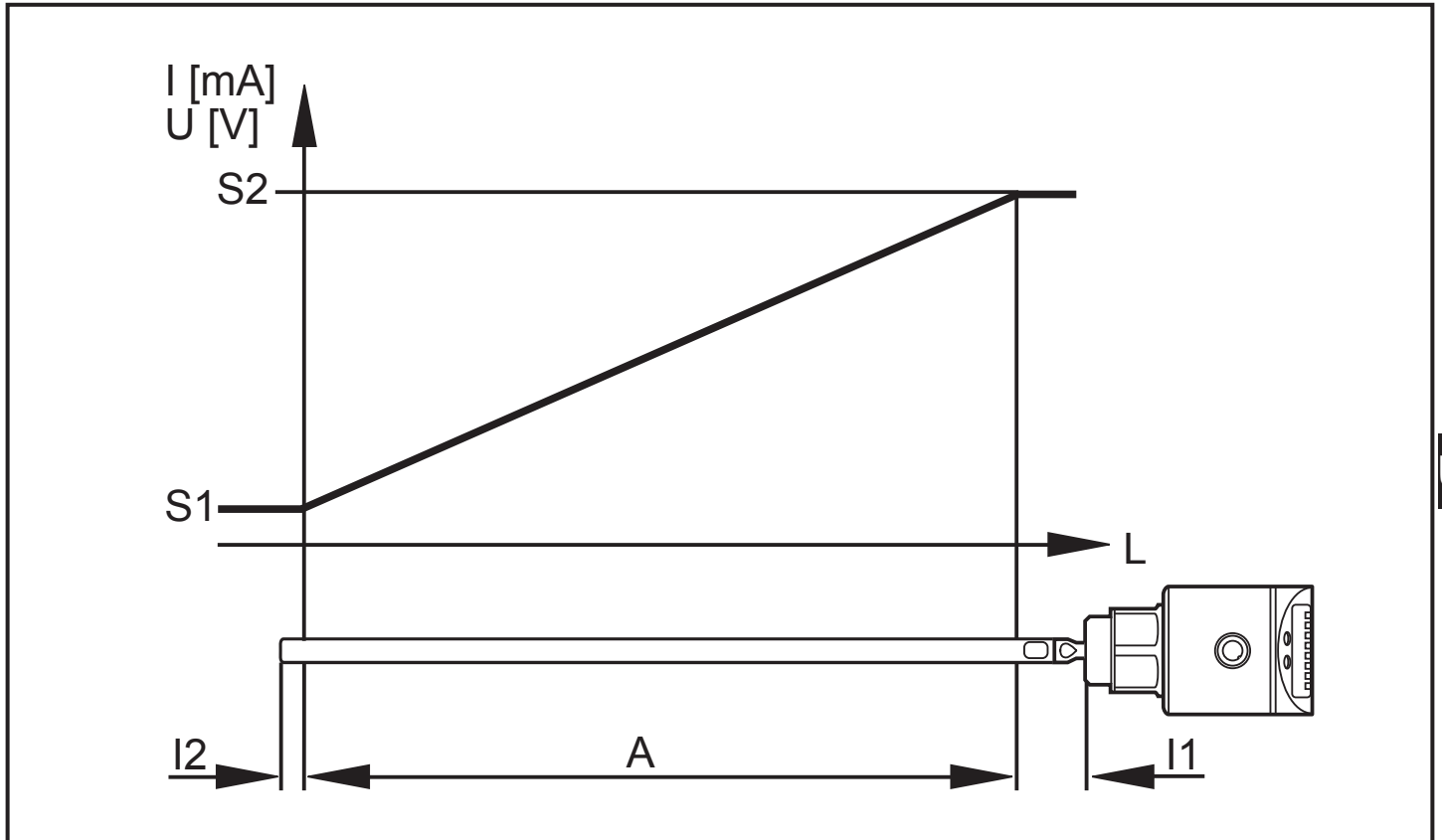
The unit provides an analogue signal proportional to level. The analogue output (OUT2) can be configured.

- [OU2] defines whether the set measuring range is provided as 4...20 mA ([OU2] = [I]), or 0...10 V ([OU2] = [U]).
- Analogue start point [ASP] determines at which measured value the output signal is 4 mA or 0 V.
- Analogue end point [AEP] determines at which measured value the output signal is 20 mA or 10 V.

Minimum distance between [ASP] and [AEP] = 25% of the active zone.



## Curve of the analogue signal (factory setting):



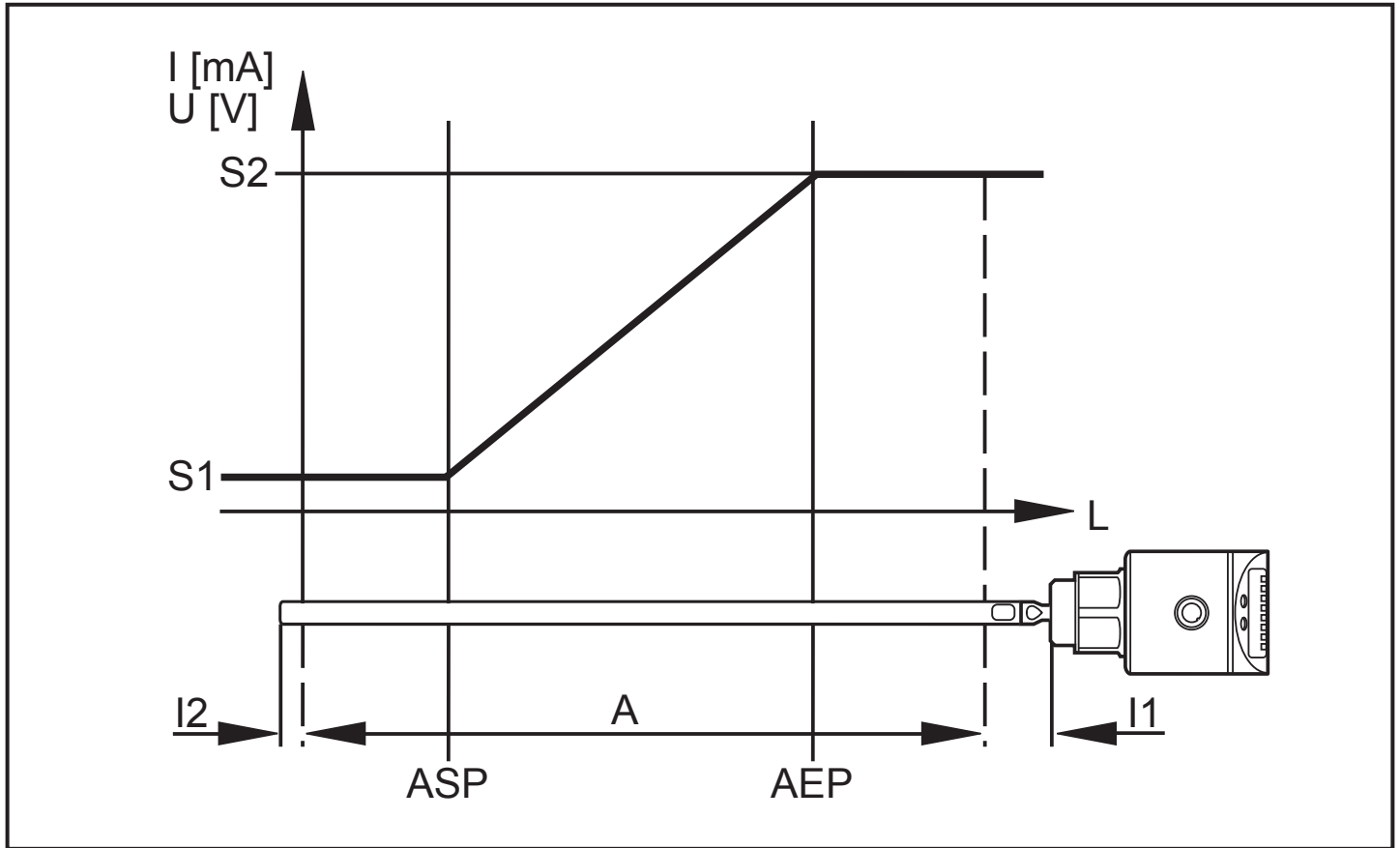
L = level

A = active zone; I1 = inactive zone 1; I2 = inactive zone 2 (→ 12 Scale drawing)

S1 = zero signal (4 mA / 0 V); S2 = full signal (20 mA / 10 V)

Note the tolerances and accuracy limits during the evaluation of the analogue signal (→ 13 Technical data).

Curve of the analogue signal (measuring range scaled):



L = level; ASP = analogue start point; AEP = analogue end point

A = active zone; I1 = inactive zone 1; I2 = inactive zone 2 (→ 12 Scale drawing)

S1 = zero signal (4 mA / 0 V); S2 = full signal (20 mA / 10 V)

Note the tolerances and accuracy limits during the evaluation of the analogue signal (→ 13 Technical data).

### 5.2.4 Switching functions

The unit signals via the switching output (OUT1) that a set limit value has been reached or that the level is below the limit value.

For the output the following switching functions can be selected:

- Hysteresis function / normally open (fig. 1): [OU1] = [Hno].
- Hysteresis function / normally closed (fig. 1): [OU1] = [Hnc].

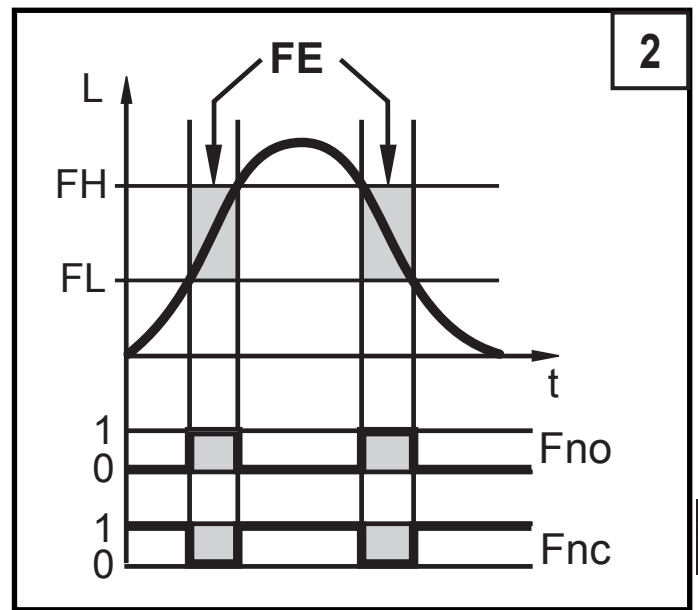
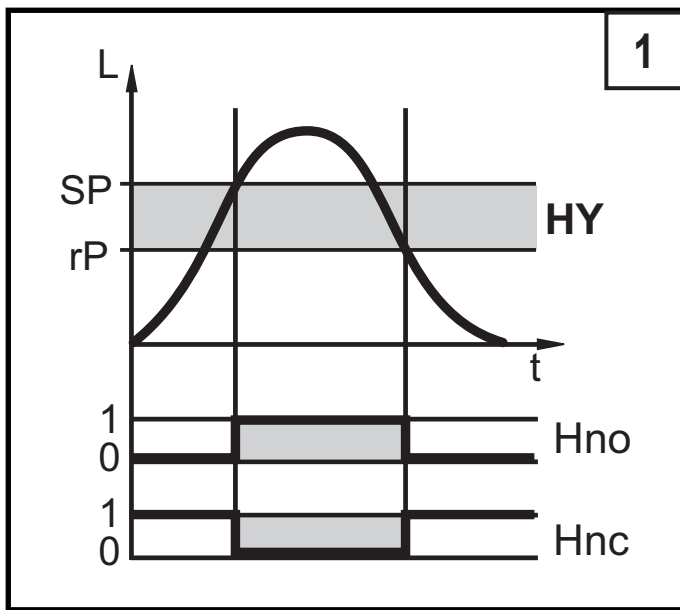


First the set point (SP1) is set, then the reset point (rP1) with the requested difference.

- Window function / normally open (fig. 2): [OU1] = [Fno].
- Window function / normally closed (fig. 2): [OU1] = [Fnc].



The width of the window can be set by means of the difference between FH1 and FL1. FH1 = upper value, FL1 = lower value.



L = level; HY = hysteresis; FE = window

- For the switching output a switch-off delay of max. 60 s can be set (e.g. for especially long pump cycles).

### 5.2.5 Offset for indicating the real level in the tank

The zone between tank bottom and lower edge of the probe can be entered as offset value [OFS]. So display and switch points refer to the actual level.

### 5.2.6 Probes for different tank heights

- The unit can be installed in tanks of different sizes. Probes in different lengths are available. To adapt to the tank height, each probe can be shortened. The minimum probe length is 10 cm, the maximum probe length is 160 cm.
- Probe and housing can be rotated without restriction. This enables easy installation and orientation of the head of the unit after installation.

### 5.2.7 Safe state

- In case of a fault a safe state can be defined for each output.
- If a fault is detected or if the signal quality is below a minimum value, the outputs pass into the "safe state". For this case the response of the outputs can be set via the parameters [FOU1], [FOU2].
- Temporary loss of signal caused e.g. by turbulence or foam formation can be suppressed by a delay time ( $\rightarrow$  10.5.8 [dFo]). During the delay time the last measured value is frozen. If the measured signal is received again in sufficient strength within the delay time, the unit continues to work in normal operation. If, however, it is not received again in sufficient strength within the delay time, the outputs pass into the safe state.

## 5.2.8 IO-Link communication, parameter setting, evaluation

Using an IO-Link capable parameter setting tool such as the FDT service program ifm Container the following options are available:

- Reading current process values.
- Reading, changing and saving current parameter settings and transmitting them to other units of the same type.



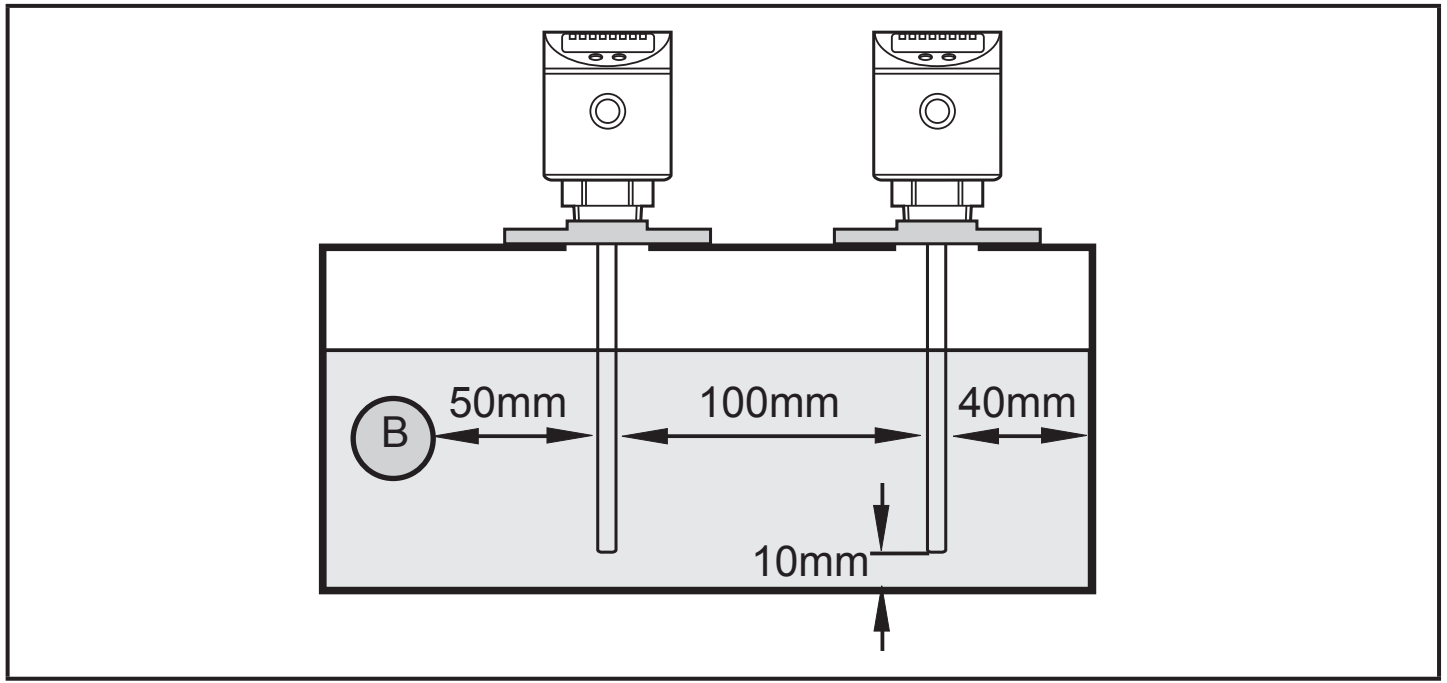
The catalogue of the available DTM objects, the IO-Link Device Description (IODD) and the FDT service program ifm Container can be downloaded at [www.ifm.com](http://www.ifm.com) → Service → Download.

# 6 Installation

## 6.1 Installation location / environment

- Vertical installation from the top is preferred.
- For a safe function, the unit requires a launching plate (→ 6.4).
- For optimum operation the unit is to be installed as near as possible to the tank wall. Distance between the rod and the tank wall: minimum 40 mm, maximum 300 mm.
- The following minimum distances between the rod and tank walls, objects in the tank (B), tank bottom and other level sensors must be adhered to:

UK



- For tank walls which are not straight, steps, supports or other structures in the tank a distance of 50 mm to the tank wall must be adhered to.
- For probe lengths > 70 cm the rod can be considerably deflected by movement of the medium. To avoid contacting the tank wall or other structures in the tank in such cases, the minimum distances should be increased. Reference values:

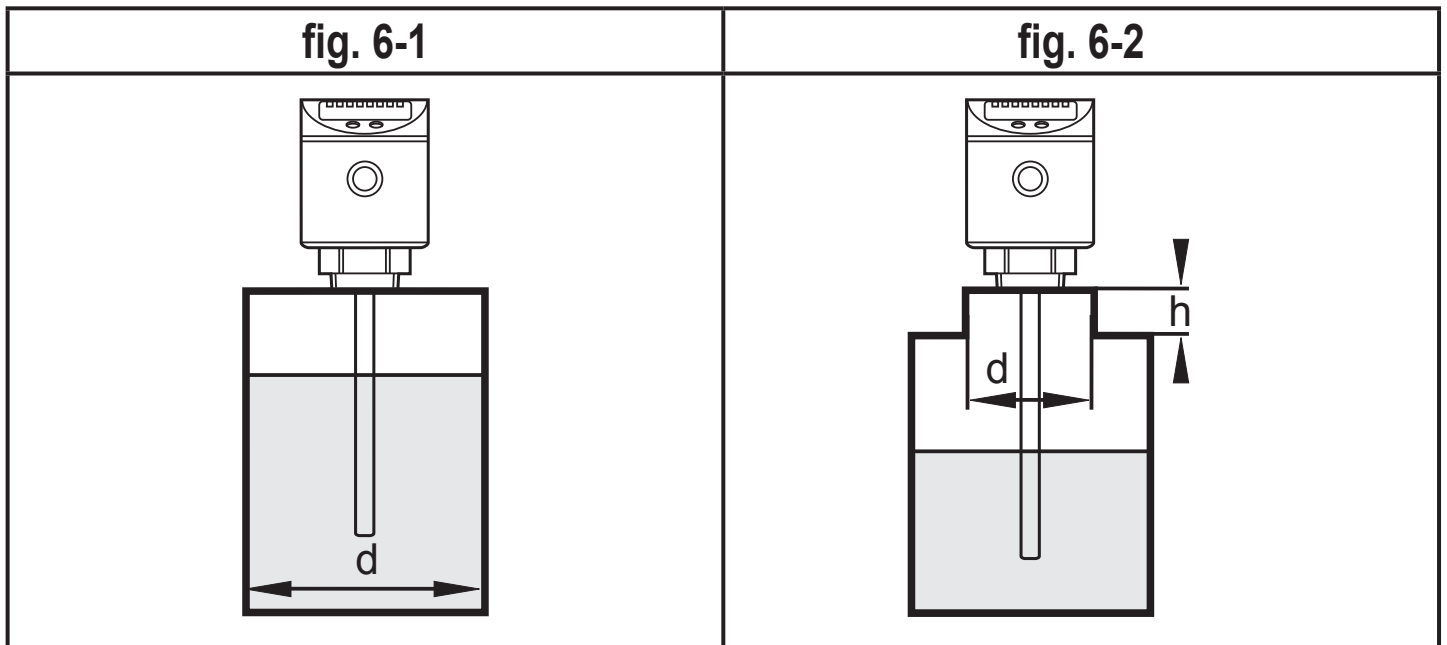
Probe length	Distance to the tank wall or structures in the tank
70...100 cm	100 mm
100...160 cm	180 mm

- If the medium is strongly polluted, there is the risk that a bridge forms between the rod and the tank wall or structures in the tank. To avoid incorrect measurements: adhere to increased minimum distances depending on type and intensity of the soiling.

- For installation in pipes:
  - The inside pipe diameter (d) must be at least 100 mm (fig. 6-1).
  - Only install the unit in metal pipes.
- For installation in bosses:
  - The diameter of the boss (d) must be at least 60 mm (fig. 6-2).
  - The height of the boss (h) must not exceed 40 mm (fig. 6-2).



Although the unit can be installed in a boss, installation in a flat tank lid is recommended. A boss will impede the distribution of the microwaves.



- Do not install the unit in the immediate vicinity of a fill opening (fig. 6-3). If possible, install a fill pipe (A) in the tank (fig. 6-4). Minimum distance between the fill pipe and the rod = 50 mm; higher for probe lengths > 70 cm and in case of heavy soiling.

fig. 6-3

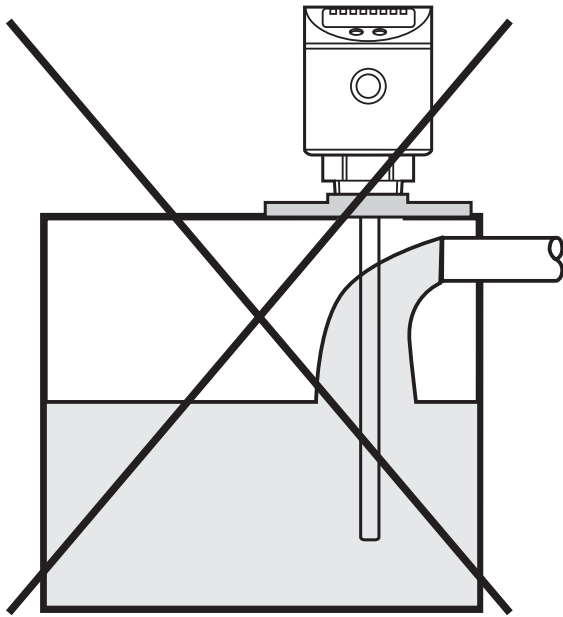
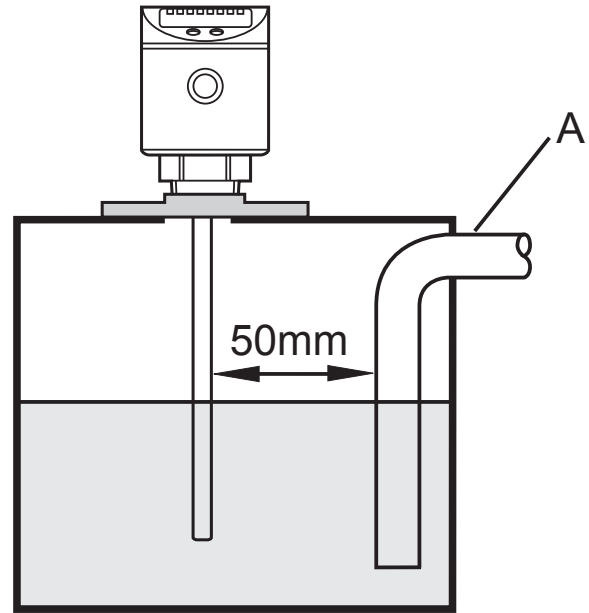
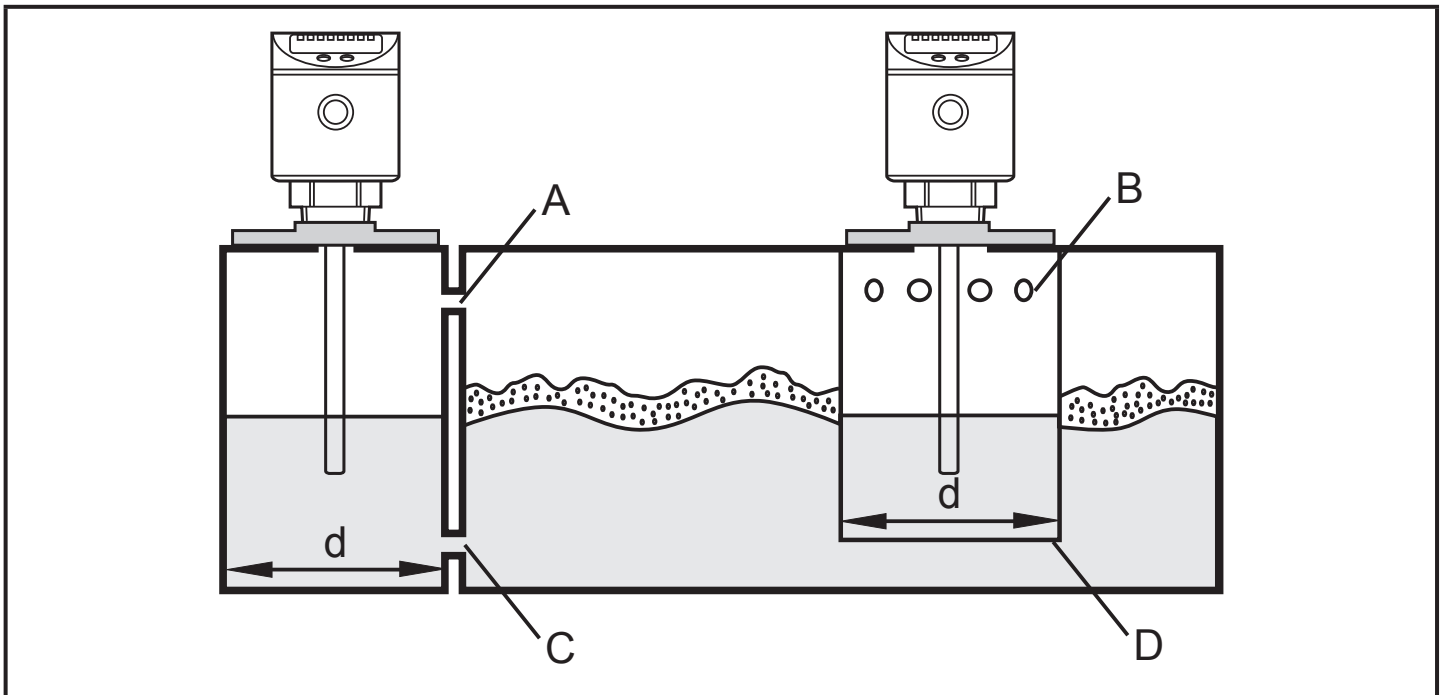


fig. 6-4



UK

- Strong foam formation and strongly moving surfaces can lead to malfunctions (see the following fig.). Recommended remedies: installation of a still pipe or a bypass. Note: minimum diameter  $d = 100 \text{ mm}$ . The upper access to the bypass (A) and the fill openings of the still pipe (B) must be above the maximum level. The lower edges of the bypass (C) and of the still pipe (D) must be below the minimum level. This ensures that neither foam nor waves impact the sensor zone:



## 6.2 Installation of the probe

The probe is not included in the scope of supply. It must be ordered separately (→ 3 Items supplied).

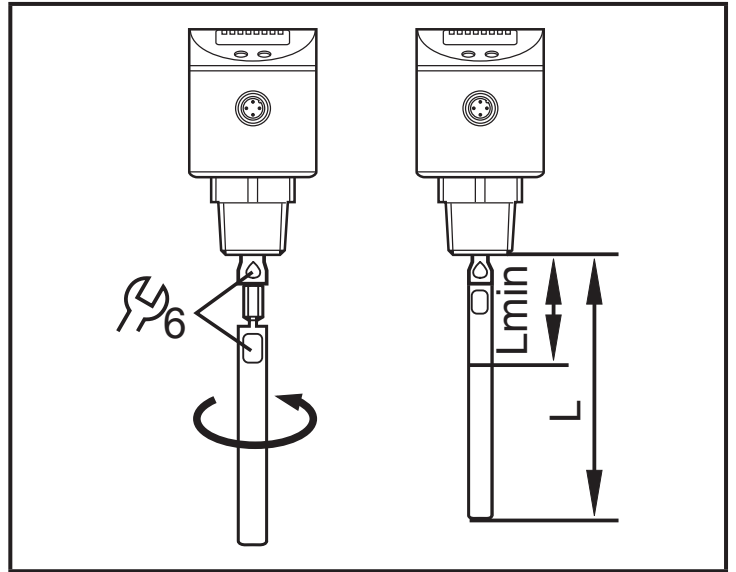
Fixing of the rod:

- ▶ Screw the rod to the unit and tighten it.



Recommended tightening torque: 4 Nm.

For ease of installation and removal the rod connection can be rotated without restriction. Even if rotated several times there is no risk of damage to the unit.



$L_{min} = 10 \text{ cm}$

In case of high mechanical stress (strong vibration, moving viscous media) it may be necessary to secure the screw connection, e.g. by a screw retaining compound.



Substances such as screw retaining compounds may migrate into the medium. Make sure that they are harmless!

When using mechanical means of securing (e.g. tooth lock washer), protruding edges must be avoided. They may cause interference reflection.

## 6.3 Shortening of the probe

The rod can be shortened to adapt to different tank heights.



Ensure that the probe length is never below the minimum permissible probe length of 10 cm ( $L_{min}$ )! The unit does not support probe lengths below 10 cm. If shorter probes are used, measurement errors can occur.

Proceed as follows:

- ▶ Screw the rod to the unit.
- ▶ Mark the desired length ( $L$ ) on the rod. The reference point is the lower edge of the process connection.
- ▶ Remove the rod from the unit.
- ▶ Shorten the rod.
- ▶ Remove all burrs and sharp edges.



- ▶ Screw the rod to the unit again and tighten it. Recommended tightening torque: 4 Nm.
- ▶ Precisely measure the probe length L, note the value. It must be entered during parameter setting of the unit (→ 10.2).

## 6.4 Installation of the unit



For correct function the unit needs a large enough metal launching plate. It is necessary for transferring the microwave pulse to the tank with optimum transmission power. The flange plates that are available as accessories are not sufficient as launching plates.

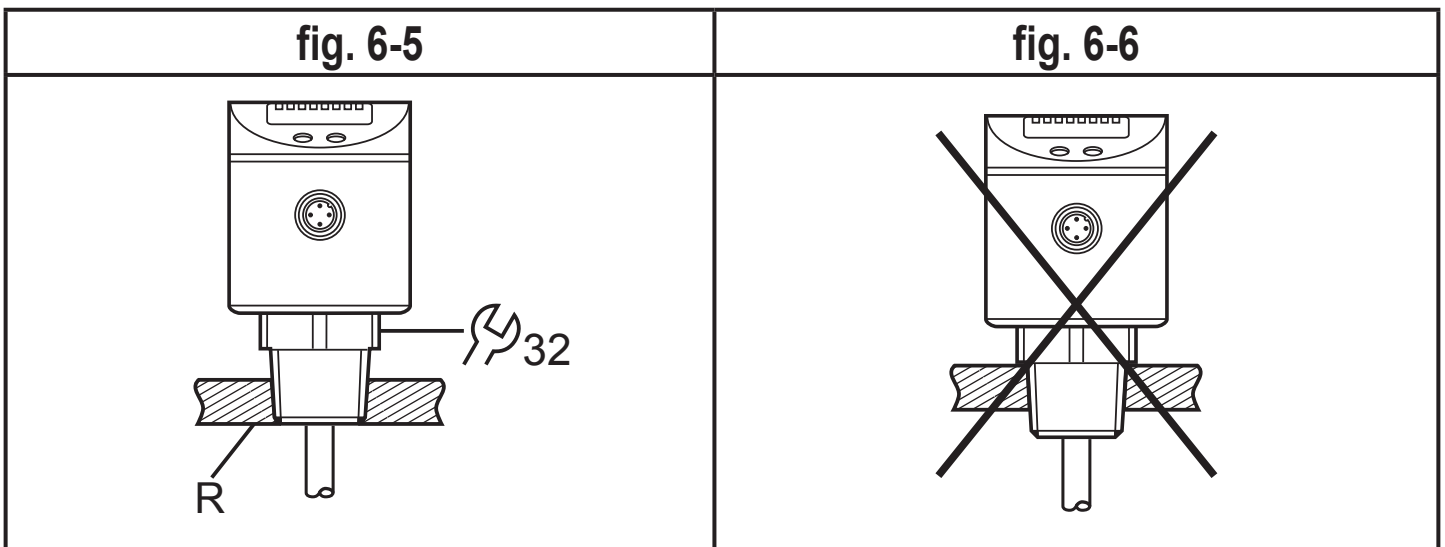
UK

For installation in closed metal tanks, the tank lid serves as a launching plate (R in fig. 6-5 and 6-9). 2 ways of installation are possible:

- Screw in a  $\frac{3}{4}$ " NPT process connection in the tank lid (→ 6.4.1).
- Installation in the tank lid using a flange plate, e.g. for tanks with thin walls (→ 6.4.2).

Furthermore, installation in open tanks (→ 6.4.3) and plastic tanks is possible (→ 6.4.4).

### 6.4.1 Installation in closed metal tanks (without flange plate)

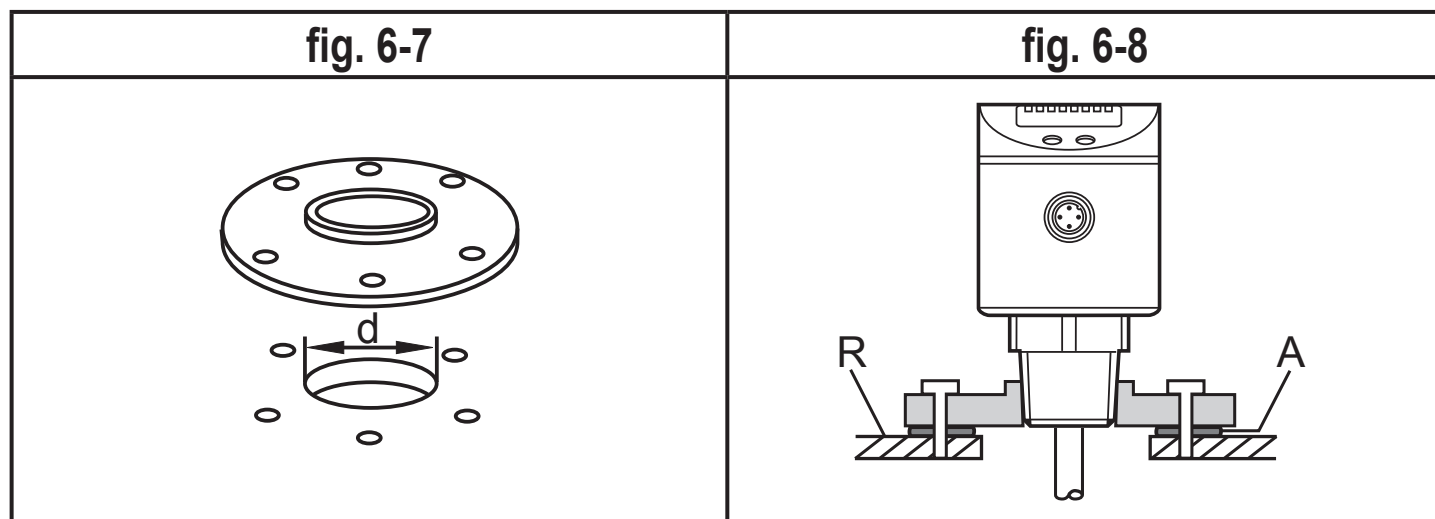


- ▶ The lower edge of the process connection should be flush with the installation environment (fig. 6-5).
- ▶ Avoid non-flush installation (fig. 6-6). The height can be slightly corrected by means of appropriate sealing material (e.g. Teflon tape).
- ▶ The unit is not suitable for media with a dielectric constant  $< 20$  (e.g. oils, fats, plastic granulates, and bulk material).

## 6.4.2 Installation in closed metal tanks (with flange plate)



Flange plates are not supplied. They must be ordered separately (→ 3 Items supplied).



- ▶ Arrange for a bore hole in the tank lid. It must have a minimum diameter (d) to enable sufficient transfer of the measured signal to the probe (fig. 6-7). The diameter depends on the wall thickness of the tank lid:

Wall thickness [mm]	1...5	5...8	8...11
Bore hole diameter [mm]	35	45	55

- ▶ Install the flange plate with the flat surface showing to the tank and fix it with appropriate screws.



A seal (A in fig. 6-8) can be inserted between flange plate and tank. Some flange plates are supplied with seal.

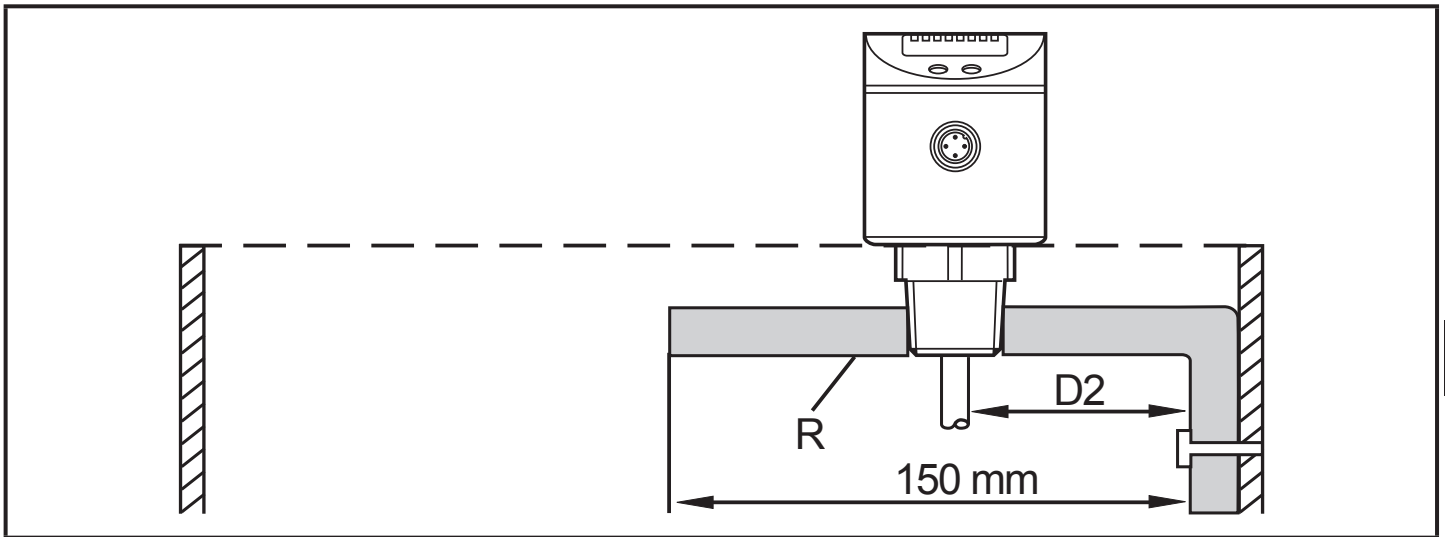
- ▶ Ensure cleanness and evenness of the sealing areas; especially if the tank is under pressure. Tighten the fixing screws sufficiently.
- ▶ Screw the unit into the flange plate using the process connection and tighten firmly.

The height can be slightly corrected by means of appropriate sealing material (e.g. Teflon tape).

## 6.4.3 Installation in open tanks

- ▶ For installation in open tanks, use a metal fixture to install the unit. It serves as a launching plate (R); minimum size: 150 x 150 mm for a square fixture, 150 mm diameter for a circular fixture.

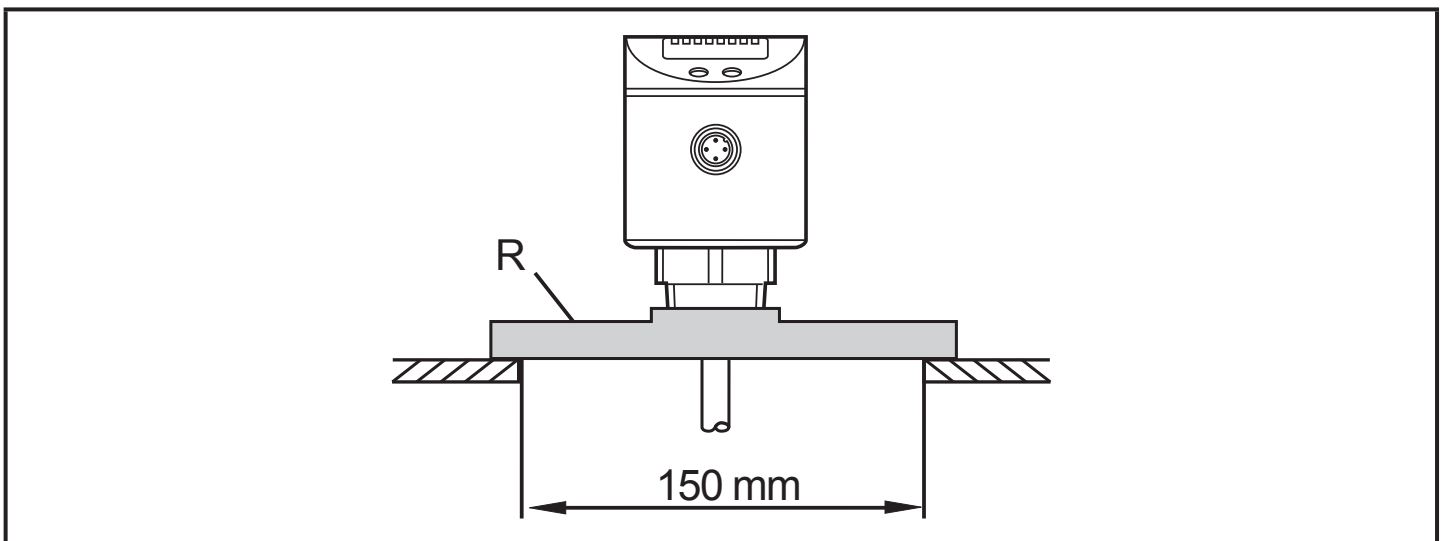
- ▶ If possible, mount the unit in the middle of the fixture. The distance D2 must not be below 40 mm, higher for probe lengths > 70 cm and in case of heavy soiling (→ 6.1):



UK

- ▶ The lower edge of the process connection should be flush with the installation environment (see fig. 6-5).
- ▶ Avoid non-flush installation (see fig. 6-6).
- ▶ The height can be slightly corrected by means of appropriate sealing material (e.g. Teflon tape).

#### 6.4.4 Installation in plastic tanks



To enable sufficient transfer of the measured signal, note in case of installation in plastic tanks or metal tanks with plastic lid:

- ▶ A drill hole with a minimum diameter of 150 mm must be applied to the plastic lid.
- ▶ For installation of the unit, a flange plate (= launching plate R) must be used which sufficiently covers the drill hole.

- ▶ Ensure the minimum distance (= 80 mm) between rod and tank wall, higher for probe lengths > 70 cm and in case of heavy soiling (→ 6.1).



When installed in plastic tanks, there may be deterioration caused by electromagnetic interference. Remedy:

- Apply a metal foil to the outside of the tank.
- Apply a shielding screen between the level sensor and other electronic units.

## **6.5 Alignment of the sensor housing**



After installation, the sensor housing can be aligned. It can be rotated without restriction. Even if rotated several times there is no risk of damage to the unit.

## 7 Electrical connection



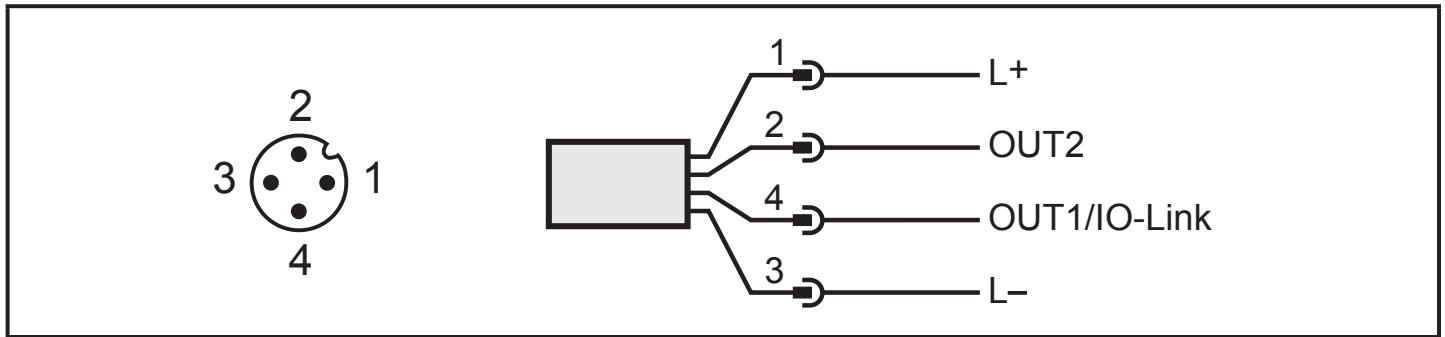
The unit must be connected by a qualified electrician.

The national and international regulations for the installation of electrical equipment must be adhered to.

Voltage supply according to EN 50178, SELV, PELV.

▶ Disconnect power.

▶ Connect the unit as follows:



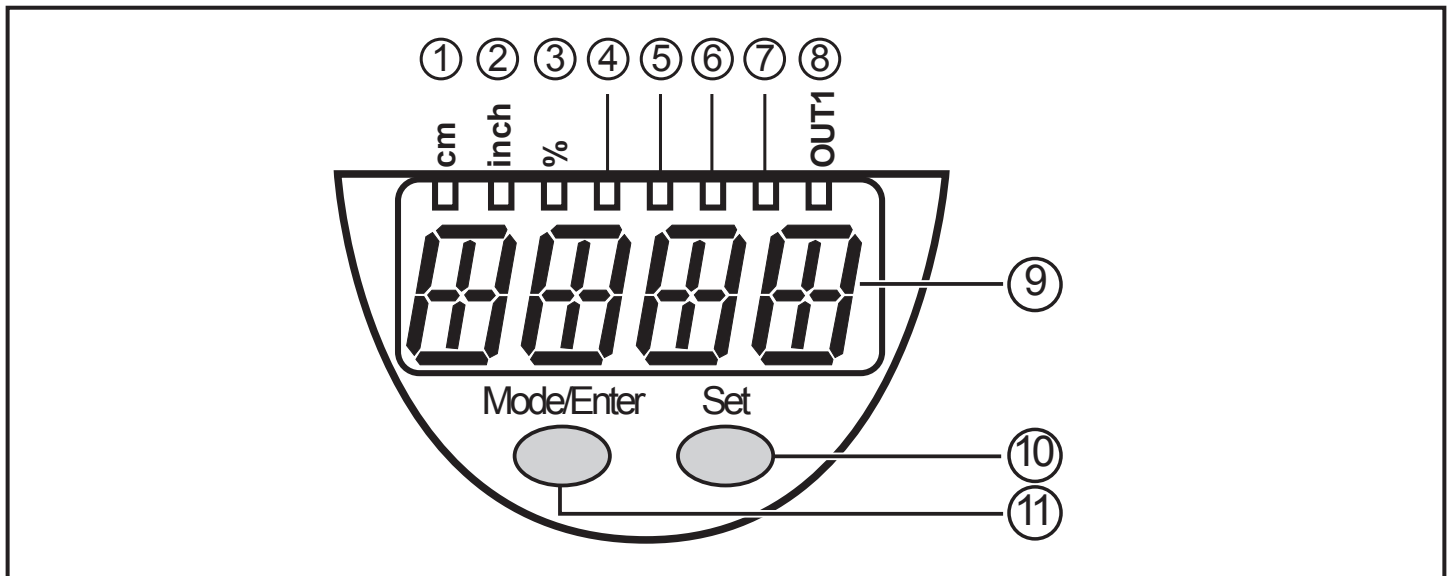
UK

Pin	Connection	Core colours for ifm sockets:
1	Ub+	brown
3	Ub-	blue
2	OUT2 = analogue output	white
4	<ul style="list-style-type: none"> <li>• OUT1 = PNP switching output</li> <li>• IO-Link</li> </ul>	black



When operating voltage is applied to the unit for the first time, the probe length must be entered. Only then is the unit ready for operation (→ 10.2).

## 8 Operating and display elements



### 1 to 8: indicator LEDs

- LED 1: green = indication of the level in cm.
- LED 2: green = indication of the level in inch.
- LED 3: green = indication of the level in % of the final value of the measuring range.
- LED 4 - LED 7: not used.
- LED 8: yellow = output 1 is switched.

### 9: alphanumeric display, 4 digits

- Indication of the current level.
- Operation and fault indication.
- Indication of the parameters and parameter values

### 10: Set button

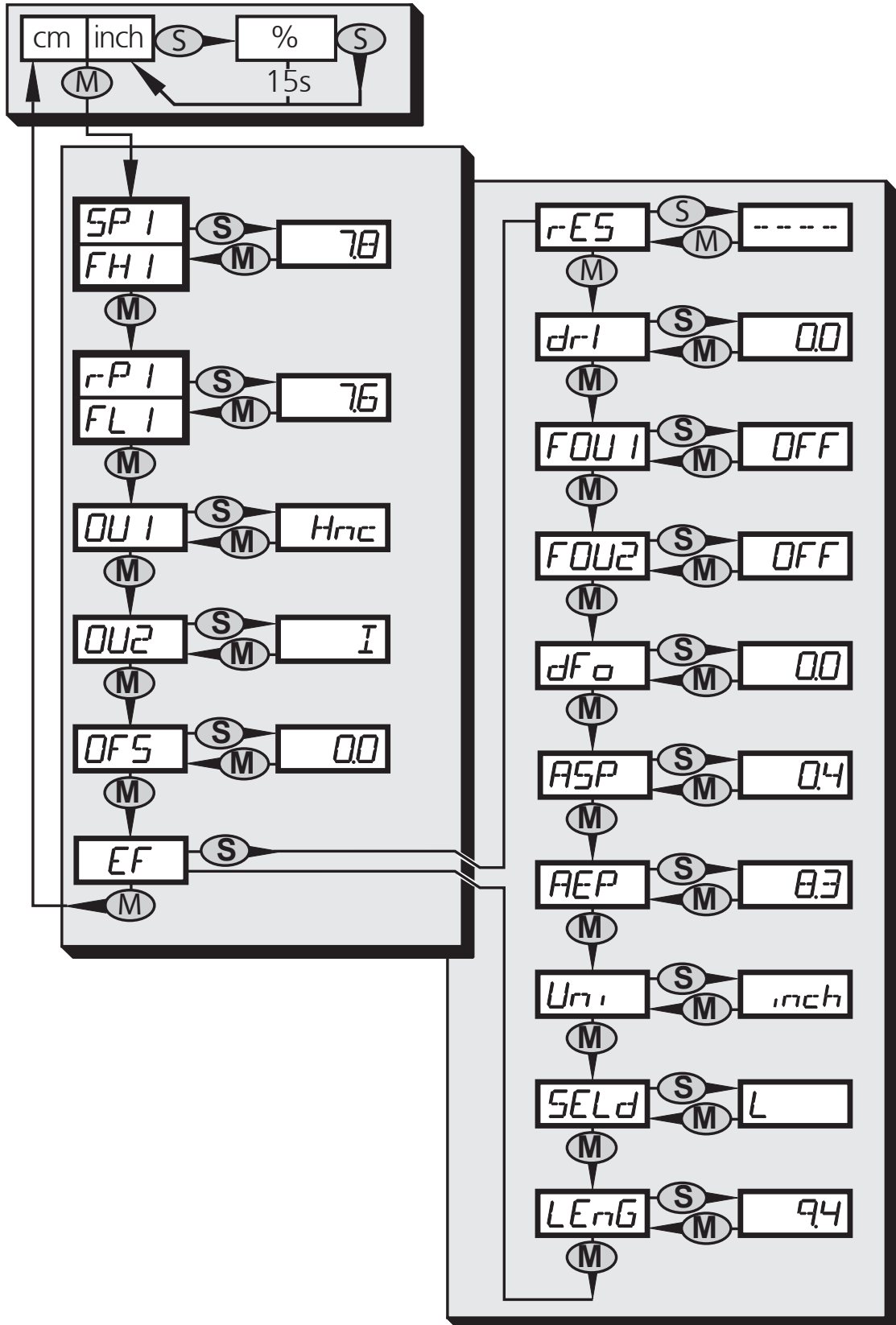
- Setting of the parameter values (scrolling by holding pressed; incrementally by pressing once).
- Change between cm/inch indication and percent indication in the normal operating mode (Run mode).

### 11: Mode/Enter button

- Selection of the parameters and acknowledgement of the parameter values

# 9 Menu

## 9.1 Menu structure



UK

## 9.2 Explanation of the menu

SP1/rP1	Upper / lower limit value for the level at which OUT1 switches.
FH1/FL1	Upper / lower limit for the acceptable range (monitored by OUT1).
OU1	Output function for the switching output (OUT1): hysteresis function or window function, normally closed or normally open.
OU2	Output function for the analogue output (OUT2): current or voltage output: I = 4...20 mA / U = 0...10 V.
OFS	Offset value for level measurement
EF	Extended functions / opening of menu level 2.
rES	Restore factory settings.
dr1	Switch-off delay for OUT1. The menu item is only active if OU1 = Hno or Hnc.
FOU1	Response of OUT1 in case of a fault.
FOU2	Response of OUT2 in case of a fault.
dFo	Delay time for the outputs to pass into the safe state.
ASP	Analogue start value for level; measured value at which 4 mA / 0 V are provided.
AEP	Analogue start value for level; measured value at which 20 mA / 10 V are provided.
Uni	Unit of measurement (cm or inch).
SELd	Type of indication.
LEnG	Length of the rod.

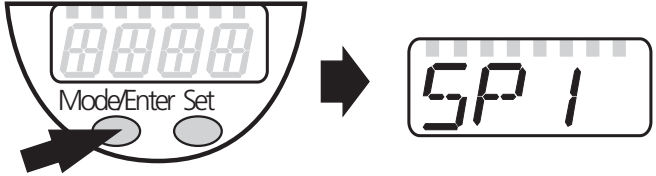
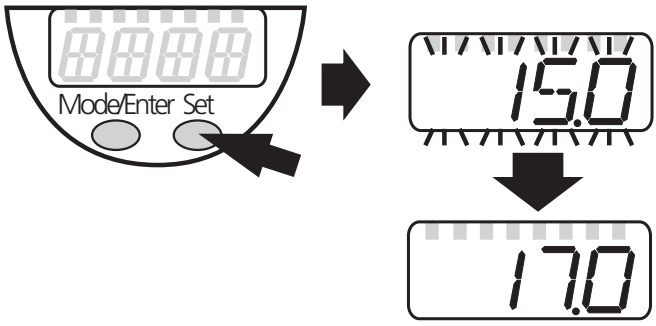
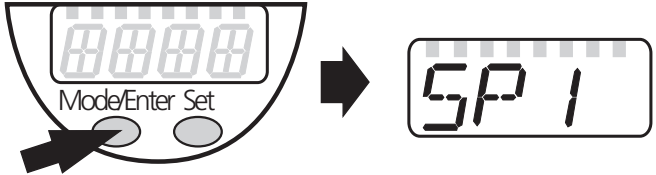


# 10 Parameter setting

During parameter setting the unit remains in the operating mode internally. It continues its monitoring function with the existing parameters until the parameter setting has been completed.

## 10.1 General parameter setting

3 steps must be taken for each parameter setting:

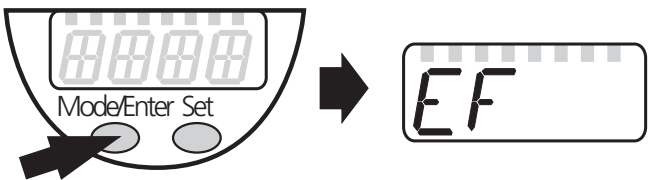
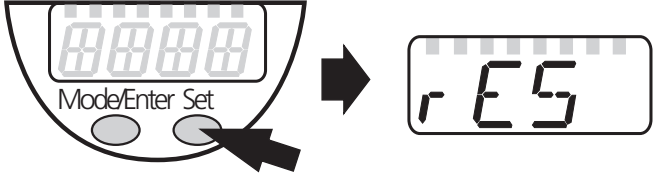
<p><b>1</b></p>	<p><b>Select the parameter</b></p> <ul style="list-style-type: none"> <li>▶ Press [Mode/Enter] until the requested parameter is displayed.</li> </ul>	
<p><b>2</b></p>	<p><b>Set the parameter value</b></p> <ul style="list-style-type: none"> <li>▶ Press [Set] and keep it pressed.</li> <li>&gt; Current setting value of the parameter flashes for 5 s.</li> <li>&gt; After 5 s: setting value is changed: incrementally by pressing the button once or continuously by keeping the button pressed.</li> </ul>	
<p>Numerical values are incremented continuously. For reducing the value: let the display move to the maximum setting value. Then the cycle starts again at the minimum setting value.</p>		
<p><b>3</b></p>	<p><b>Acknowledgement of the parameter value</b></p> <ul style="list-style-type: none"> <li>▶ Press [Mode/Enter] briefly.</li> <li>&gt; The parameter is displayed again. The new setting value is stored.</li> </ul>	
<p><b>Setting of other parameters:</b></p> <ul style="list-style-type: none"> <li>▶ Start again with step 1.</li> </ul>		
<p><b>Finishing the parameter setting:</b></p> <ul style="list-style-type: none"> <li>▶ Press [Mode/Enter] several times until the current measured value is displayed or wait for 15 s.</li> <li>&gt; The unit returns to the operating mode.</li> </ul>		

UK



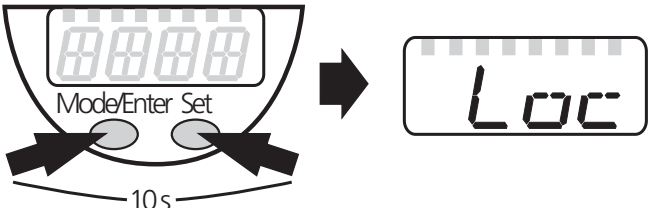
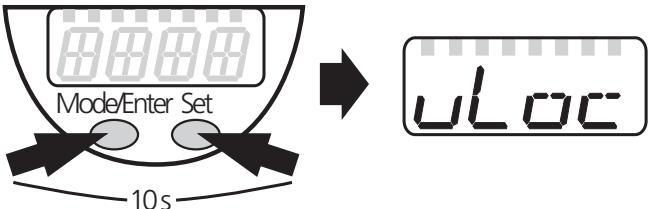
If [S.Loc] is displayed → 11.1 Operating indicators.

- Change from menu level 1 to menu level 2:

<ul style="list-style-type: none"> <li>▶ Press [Mode/Enter] until [EF] is displayed.</li> </ul>	
<ul style="list-style-type: none"> <li>▶ Press [Set] briefly.</li> <li>&gt; The first parameter of the submenu is displayed (here: [res]).</li> </ul>	

- Locking / unlocking

The unit can be locked electronically to prevent unintentional settings.

<ul style="list-style-type: none"> <li>▶ Make sure that the unit is in the normal operating mode.</li> <li>▶ Press [Mode/Enter] + [Set] for 10 s.</li> <li>&gt; [Loc] is displayed.</li> </ul>	
<p>During operation: &gt; [Loc] is briefly displayed if you try to change parameter values.</p>	
<p>For unlocking:</p> <ul style="list-style-type: none"> <li>▶ Press [Mode/Enter] + [Set] for 10 s.</li> <li>&gt; [uLoc] is displayed.</li> </ul>	

On delivery: unlocked.

- Timeout:

If no button is pressed for 15 s during parameter setting, the unit returns to the operating mode with unchanged values.

## 10.2 Probe length (unit on delivery)

On delivery of the unit, you must first enter the probe length. The complete parameter setting menu cannot be accessed before this.



Malfunctions may occur if the wrong probe length is set.

<ul style="list-style-type: none"><li>▶ Apply operating voltage.</li><li>&gt; The initial display <code>=====</code> is shown.</li><li>▶ Change to menu level 2.</li><li>▶ Select [LEnG], press [Set] for 5 s.</li><li>&gt; [nonE] is displayed.</li><li>▶ Enter the probe length in inch. Remarks on the determination of the probe length → 10.7.</li><li>▶ Press [Mode/Enter] briefly.</li></ul>	<code>LEnG</code>
---	-------------------

UK

Then the unit changes to the operating mode. For further parameter setting the menu can be opened. The parameter [LEnG] can be accessed and modified just like all other parameters.

## 10.3 Configuration of the display

<ul style="list-style-type: none"><li>▶ Select [Uni] and set the unit of measurement: [cm], [inch]. Factory setting: inch.</li><li>▶ Select [SELD] and set type of indication:<ul style="list-style-type: none"><li>- [L] = The level is indicated in cm or inch.</li><li>- [L%] = The level is indicated in percent of the final value of the measuring range.</li><li>- [OFF] = The display is switched off in the operating mode. When one of the buttons is pressed the current measured value is displayed for 15 s. The LEDs remain active even if the display is deactivated.</li></ul></li></ul>	<code>Uni SELD</code>
--	---------------------------

## 10.4 Offset setting

<ul style="list-style-type: none"><li>▶ Select [OFS] and enter the distance between bottom of the tank and lower edge of the probe.</li></ul> <p>Afterwards, display and switch points refer to the real level. Factory setting: [OFS] = 0.</p> <p>Note: Set [OFS] before setting the switching limits (SP1/FH1, rP1/FL1). Otherwise, the switching limits shift by the value of the set offset.</p>	<code>OFS</code>
--	------------------

## 10.5 Setting of output signals

### 10.5.1 Setting of the output function for OUT1

<ul style="list-style-type: none"><li>▶ Select [OU1] and set the switching function: [Hno] = hysteresis function/NO [Hnc] = hysteresis function/NC [Fno] = window function/NO [Fnc] = window function/NC</li></ul> <p>Note: If the upper switch point is used as an overflow protection, the setting OU1x = Hnc (NC function) is recommended. The principle of normally closed operation ensures that wire break or cable break is also detected.</p>	<i>OU 1</i>
---	-------------

### 10.5.2 Setting of switching limits (hysteresis function)

<ul style="list-style-type: none"><li>▶ Make sure that the function [Hno] or [Hnc] is set for [OU1].</li><li>▶ Select [SP1] and set the value at which the output switches.</li></ul>	<i>SP 1</i>
<ul style="list-style-type: none"><li>▶ Select [rP1] and set the value at which the output switches off. rP1 is always lower than SP1. The unit only accepts values which are lower than SP1.</li></ul>	<i>r-P 1</i>

### 10.5.3 Setting of switching limits (window function)

<ul style="list-style-type: none"><li>▶ Make sure that the function [Fno] or [Fnc] is set for [OU1].</li><li>▶ Select [FH1] and set the upper limit of the acceptable range.</li></ul>	<i>FH 1</i>
<ul style="list-style-type: none"><li>▶ Select [FL1] and set the lower limit of the acceptable range. FL1 is always lower than FH1. The unit only accepts values which are lower than the value for FH1.</li></ul>	<i>FL 1</i>

### 10.5.4 Setting of the switch-off delay for OUT1

<ul style="list-style-type: none"><li>▶ Select [dr1] and set the value between 0.2 and 60 s. At 0.0 (= factory setting) the delay time is not active.</li></ul> <p>The switch-off delay is only active if hysteresis has been set as switching function (OU1 = Hno or Hnc).</p>	<i>dr 1</i>
---	-------------


### 10.5.5 Setting of the output function for OUT2 (analogue output)

<ul style="list-style-type: none"><li>▶ Select [OU2] and set the output function: [I] = current output 4...20 mA [U] = voltage output 0...10 V</li></ul>	<i>OU2</i>
--	------------


### 10.5.6 Scaling of the analogue signal

<ul style="list-style-type: none"><li>▶ Select [ASP] and set the measured value at which 4 mA / 0 V are provided.</li><li>▶ Select [AEP] and set the measured value at which 20 mA / 10 V are provided.</li></ul>	<i>ASP</i> <i>AEP</i>
---	--------------------------

### 10.5.7 Response of the outputs in case of a fault

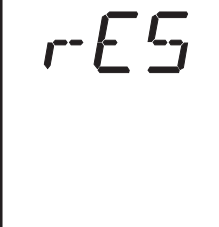
<p>▶ Select [FOU1] / [FOU2] and set the value:</p> <ul style="list-style-type: none"> <li>- [on] = output switches ON in case of a fault. Analogue output switches on 20 mA / 10 V in case of a fault.</li> <li>- [OFF] = switching output switches OFF in case of a fault. Analogue output switches on 4 mA / 0 V in case of a fault.</li> </ul> <p>Factory setting: [FOU1] and [FOU2] = [OFF]. Faults: faulty hardware, too low a signal quality, atypical level curve. Overflow is not considered to be a fault.</p>	
---	---

### 10.5.8 Setting of the delay time after signal loss

<p>▶ Select [dFo] and set the value between 0.2 and 5.0 s. At 0.0 (= factory setting) the delay time is not active. Mind the dynamics of your application. In case of fast level changes it is recommended to adapt the value step by step.</p>	
---	---


UK

### 10.6 Reset all parameters to factory setting

<p>▶ Select [rES], then press [Set] and keep it pressed until [----] is displayed. ▶ Press [Mode/Enter] briefly. &gt; The unit reboots and the factory settings are restored. Note: On delivery the unit is not operational. First, the basic settings must be entered (→ 10.2).</p>	
--	--

### 10.7 Changing the probe length

Required after a factory reset [rES] and after changes to the probe.

<p>▶ Measure the probe length L to a precision of <math>\pm 2</math> mm (<math>\pm 0.1</math> inch). L = lower edge of the of process connection to the rod end. ▶ Round up the measured value (step increment 0.5 cm / 0.2 inch). ▶ Select [LEnG] and set the value (setting range: 10.0 ... 160.0 cm / 4.0 ... 63.0 inch).</p>	
--	---

# 11 Operation

After power on, the unit is in the Run mode (= normal operating mode). It carries out its measurement and evaluation functions and generates output signals according to the set parameters.

## 11.1 Operating indicators

Numerical value + LED 1	Current level in cm.
Numerical value + LED 2	Current level in inch.
Numerical value + LED 3	Current level in % of the final value of the measuring range.
LED 8	Switching status OUT1.
[----]	Level below the active zone.
[FULL] + numerical value alternately	Level has reached or exceeded the maximum measuring range (= overflow warning).
[CAL]	Initialisation phase after power on
≡≡≡≡	On delivery the unit is not operational. Entering of the probe length is required (→ 10.2).
[Loc]	Unit electronically locked; parameter setting impossible. For unlocking press the two setting buttons for 10 s.
[uLoc]	Unit is unlocked / parameter setting is possible again.
[S.Loc]	If [S.Loc] is displayed when an attempt is made to modify a parameter value, either an IO-Link communication is active (temporary locking) or the sensor is permanently locked via software. This locking can only be removed via a parameter setting software.

## 11.2 Reading the set parameters

- ▶ Press [Mode/Enter] briefly to scroll the parameters.
- ▶ Press [Set] briefly to indicate the corresponding parameter value for about 15 s. After another 15 s the unit returns to the Run mode.

## 11.3 Changing the display unit in the Run mode

(= switching between length indication (cm / inch) and percentage).

- ▶ Press [Set] briefly in the Run mode.
  - > The selected unit is displayed for 15 s, the corresponding LED is lit. With each push of the button the display type is changed.

## 11.4 Error indications

	Possible cause	Recommended measures
[E.000]	Fault in the electronics.	Replace the unit.
[E.031]	Probe detached from the unit; possibly incorrect setting of the probe length.	Check whether the probe is still attached to the unit. Check the parameter [LEnG].
[E.033]	Measurement disturbed by foam formation or strong turbulence.	<ul style="list-style-type: none"> <li>• Install the unit in a still pipe or bypass.</li> <li>• Set or increment [dFo] (→ 10.5.6).</li> </ul>
	Measurement disturbed by separation layers (e.g. oil layer on water).	Remove the oil layer by suction, stir the medium, verify the composition.
	Rod or process connection soiled.	Clean the rod and the process connection, carry out a reset.**
	Installation conditions were not adhered to.	Observe the notes in "Installation" (→ 6).
	Probe length set incorrectly.	Correct the settings (→ 10.2), then carry out a reset.**
[E.034]	Atypical, abrupt level changes.*	Check the dynamics (if necessary, use a still pipe or bypass), then carry out a reset.**
[SCx]	Flashing: short circuit in switching output x.	Remove the short circuit.
[SC]	Flashing: short circuit in all switching outputs.	Remove the short circuit.
[PArA]	Faulty data set	Reset to factory settings (→ 10.6).

\* The unit carries out plausibility checks to increase the operational reliability. Atypical level changes can be caused e.g. by contact with the rod or by heavy soiling or turbulence. With the parameter [dFo] the response of the unit can be delayed (→ 10.5.6).

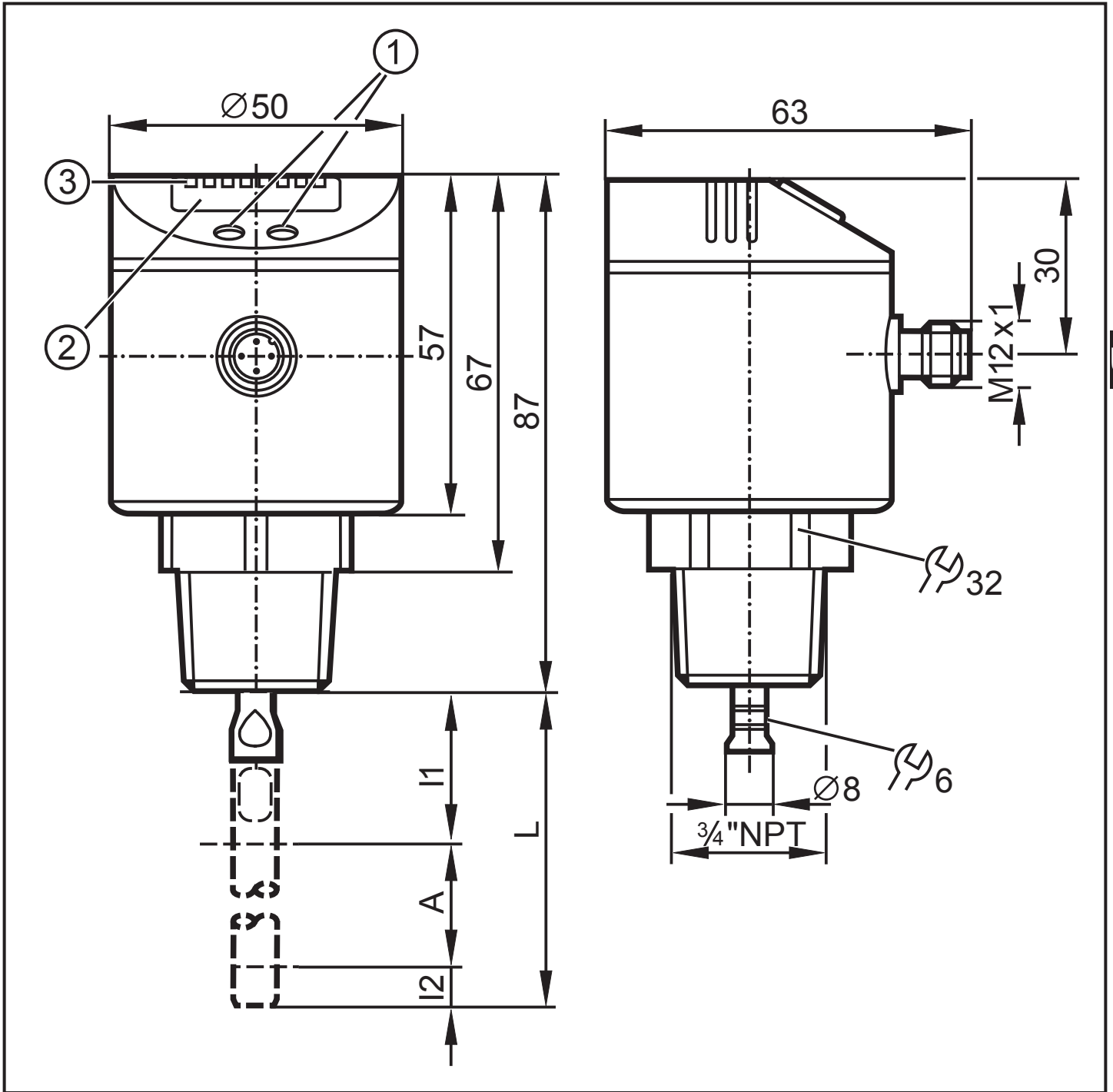
\*\* Carry out a reset (power off and on again) after rectifying the fault to reset the error message.

## 11.5 Output response in different operating states

	OUT1	OUT2
Initialisation	OFF	OFF
Normal operation	according to the level and OU1 setting	according to the level and OU2 setting
Fault (E.0xx)	OFF for FOU1 = OFF; ON for FOU1 = on	4 mA / 0 V for FOU2 = OFF 20 mA / 10 V for FOU2 = on



# 12 Scale drawing



UK

Dimensions in mm

1: display; 2: status LEDs; 3: programming buttons

	cm		inch	
	min	max	min	max
L (probe length)	10	160	4.0	63
A (active zone)	6	L - 4	2.4	L - 1.6
I1 (inactive zone 1)	3		1.2	
I2 (inactive zone 2)	1		0.4	

## 13 Technical data

Operating voltage [V].....	18 ... 30 DC
Current rating [mA] .....	200
Short-circuit protection, pulsed; protected against reverse polarity and overload	
Voltage drop [V] .....	< 2.5
Current consumption [mA].....	< 80
Communication interface.....	IO-Link 1.1
Baud rate [kbaud] .....	COM2 (38.4 kbaud)
Analogue output .....	4 ... 20 mA (max. 500 Ω) / 0 ... 10 V (min. 2000 Ω)
Zero signal [mA] / [V].....	3.6 ... 4.0 / 0.0 ... 0,2
Full signal [mA] / [V] .....	20.0 ... 20.8 / 10.0 ... 10.3
Resolution [mm] .....	0.5 <sup>1)</sup> / 0.2% FS <sup>2)</sup> *
Measuring sensitivity [mA/mm] resp. [V/mm] .....	I: 16 mA / FS <sup>*)</sup> U: 10 V / FS <sup>*)</sup>
Offset error [mm] .....	± 10
Deviation of the characteristics [mm] .....	± 10
Switch point accuracy [mm].....	± (15 + 0.5% FS) <sup>*)</sup>
Repeatability [mm] .....	± 5
Max. speed of the level change [mm/s] .....	100
Dielectric constant medium .....	> 20
Max. tank pressure [bar] .....	-1...4
Housing material	stainless steel (304/1.4301); FPM (Viton); PBT; PC; PEI; TPE / V; PTFE
Materials in contact with the medium .....	stainless steel (303/1.4305); PTFE; FPM (Viton)
Protection.....	IP 67, III
Ambient temperature [°C] .....	0...60
Medium temperature [°C]	
- permanent .....	0...80
- peak.....	0...90
Storage temperature [°C] .....	-25 ... 80
Shock resistance [g] .....	50 (DIN / IEC 68-2-27, 11 ms)
Vibration resistance [g].....	5 (DIN IEC 68-2-6, 10...2000 Hz)
EMC.....	IEC 60947-1

<sup>\*)</sup> FS = full scale in mm (FS = L-30 mm) → 12 Scale drawing

<sup>1)</sup> for probe lengths up to 300 mm

<sup>2)</sup> for probe lengths > 300 mm

## 13.1 Setting ranges

[LEnG]	cm	inch
Setting range	10...160	4.0...63
Step increment	0.5	0.2

[OFS]	cm	inch
Setting range	0...100	0...39.4
Step increment	0.5	0.2

The setting ranges for the switching limits (SP1, rP1, FH1, FL1) depend on the probe length (L). In general the following applies:

UK

	cm		inch	
	min	max	min	max
SP1 / FH1	1.5	L - 3	0.6	L - 1.2
rP1 / FL1	1.0	L - 3.5	0.4	L - 1.4
Step increment	0.5		0.2	

The values apply if [OFS] = 0.

- rP1 is always lower than SP1. If the value for SP1 is reduced to a value  $\leq$  rP1 the position of rP1 also shifts.
- If rP1 and SP1 are close together (about 3 x step increment), rP1 is changed automatically when increasing SP1.
- If there is a greater difference between rP1 and SP1, rP1 maintains the set value even if SP1 is increased.

The setting ranges for analogue start point (ASP) and analogue end point (AEP) depend on the probe length (L). In general the following applies:

	cm		inch	
	min	max	min	max
ASP	1.0	---	0.4	---
AEP	---	L - 3.0	---	L - 1.2
Step increment	0.5		0.2	

Minimum distance between [ASP] and [AEP] = 25% of the active zone.

The values apply if [OFS] = 0.

## 14 Maintenance

- ▶ Keep the process connection free of deposits and foreign bodies.
- ▶ In case of heavy soiling: clean the process connection and the probe at regular intervals.

In case of longer operation separation layers can form in the medium (e.g. oil on water). This applies especially to still pipes or bypasses.

- ▶ Remove separation layers at regular intervals.

## 15 Factory setting

	Factory setting	User setting
SP1 / FH1	100% SP/FHmax	
rP1 / FL1	100% rP/FLmax	
OU1	Hnc	
OU2	I	
OFS	0.0	
dr1	0.0	
FOU1	OFF	
FOU2	OFF	
dFo	0	
ASP	1.0	
AEP	AEPmax	
Uni	inch	
SELd	L	
LEnG	nonE	

SP/FHmax, AEPmax = LEnG value in inch minus 1.2.

rP/FLmax = LEnG value in inch minus 1.4.

When the LEnG value is entered, the program calculates the basic setting.

More information at [www.ifm.com](http://www.ifm.com)

UK